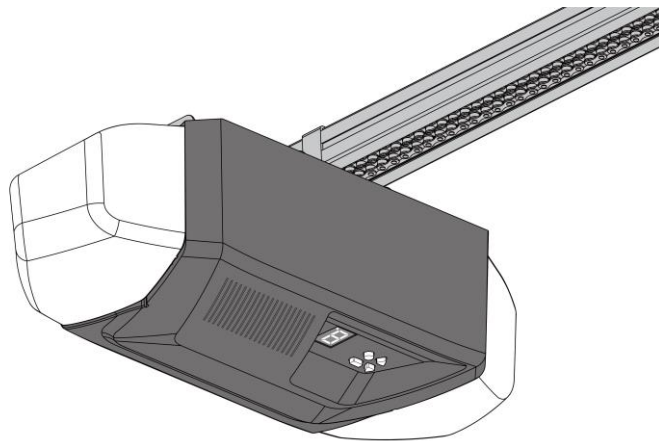


# TOPENS®

## CZ120

### User Manual

(For Smart Garage Door Opener)



Installation Video



Download “TOPENS” via App Store or Google Play



With a built-in transformer, the garage door opener can be powered directly by AC electricity. Optional batteries (not included) can be used as a backup power source.

# CONTACT US

## For Technical Support and Installation Assistance

Visit our website at [www.topens.com](http://www.topens.com) and fill out the online form

Alternatively, you can send an email to our service team at [support@topens.com](mailto:support@topens.com)

To ensure prompt and effective assistance, kindly include the following information in your email:

- **Where Did You Purchase?** \_\_\_\_\_
- **Order Information** \_\_\_\_\_
- **Your Contact Information** \_\_\_\_\_
- **Garage Door Information (Weight and Height)** \_\_\_\_\_
- **Did You Purchase Any Accessories? (If Yes, Please List Them)** \_\_\_\_\_
- **Issue Description (Include Any Relevant Photo or Video)** \_\_\_\_\_

## For Warranty Registration

To register your warranty, please visit [www.topens.com](http://www.topens.com)

If you have any questions regarding what is covered by the TOPENS warranty, refer to the detailed policy at [www.topens.com/pages/topens-limited-warranty](http://www.topens.com/pages/topens-limited-warranty).

Email Us: [support@topens.com](mailto:support@topens.com)

# Table of Contents

<b>Important Safety Information</b> .....	1
<b>Packing List</b> .....	4
<b>Installation Overview</b> .....	5
<b>Specifications</b> .....	7
<b>Before You Begin</b> .....	8
<b>Assembly</b> .....	10
<b>Installation</b> .....	13
<b>Control Board Terminal Functions</b> .....	19
<b>Connect the Power Supply</b> .....	20
<b>Program the Remote Control</b> .....	21
<b>Configure the Control Board Settings</b> .....	22
<b>Stall Force Adjustment &amp; Safety Reverse Test</b> .....	25
<b>Connect the Accessories</b> .....	26
TC188 Universal Keypad.....	26
TKP3 Wireless Keypad .....	28
TC173 Wireless Push Button.....	29
TC196 Tuya WiFi Remote Control .....	29
TC175P Wired Keypad .....	30
HLR01 Homelink Remote Control Kit .....	30
TRF3 Reflection Photocell Sensor .....	31
TC102 Infrared Photocell Sensor.....	32
ERM12 External Receiver .....	33
TC148 Waterproof Wall Push Button & TC147 Wall Push Button .....	33
<b>Maintenance and Replacement Part</b> .....	34
<b>Troubleshooting</b> .....	35

<b>TOPENS Smart Garage Door Opener App User Manual .....</b>	<b>38</b>
<b>PART 1 Add the Garage Door Opener to the App .....</b>	<b>39</b>
Register a User Account .....	39
Preparation Before Adding to the App.....	39
Add the Garage Door Opener Via Bluetooth and Hotspot .....	40
<b>PART 2 Main Screen Introduction .....</b>	<b>43</b>
Home Screen .....	43
Store Screen .....	43
Profile Screen.....	43
<b>PART 3 Control and Set the Garage Door Opener .....</b>	<b>48</b>
Basic Functions of the Controller Screen .....	48
Settings of the Garage Door Opener .....	49
Q&A Screen.....	51

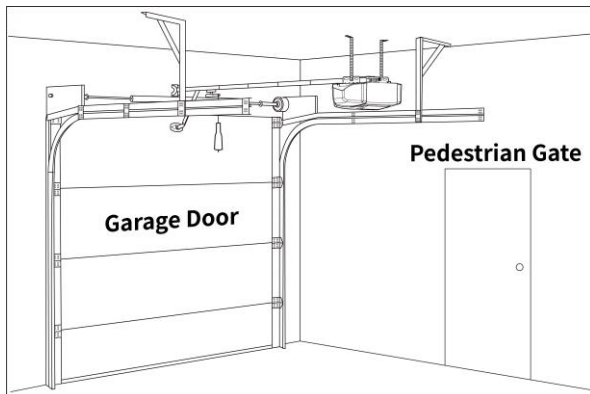
# Important Safety Information

Thank you for choosing the TOPENS CZ120 garage door opener. When installed correctly and used properly, it will offer years of reliable service.

This manual is designed to guide you through the proper installation of your CZ120 garage door opener. Please carefully review all instructions before commencing the installation and operation of this automatic door opener.

## Before Installation

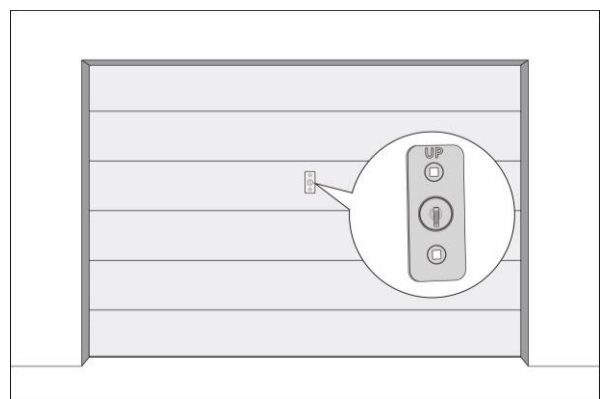
- ◆ **GAIN UNDERSTANDING OF THE INSTALLATION PROCESS:** Please read this installation manual before installing the garage door opener.
- ◆ **LOCAL INSTALLATION COMPLIANCE:** Prior to installation, please verify that your planned installation complies with all relevant local building codes and ordinances. Dispose of packaging materials in accordance with local regulations.
- ◆ **SEPARATE PEDESTRIAN ACCESS:** This door opener is designed exclusively for vehicle-access garage doors. Pedestrians should use a separate entrance to avoid the risk of injury from contact with a closing door.



- ◆ **GARAGE DOOR PREPARATION:** Remove all unnecessary ropes, chains, or cables, and disable or remove any manual locks connected to the garage door to prevent entanglement. Ensure that the door is in good mechanical condition, properly

balanced, and able to open and close smoothly without binding, sticking, or excessive noise. Lubricate the door if necessary. Lightweight fiberglass, aluminum, or steel garage doors must be properly reinforced to prevent damage. Contact the door manufacturer for a recommended reinforcement kit. Do not use the door opener with garage doors that have a wicket (pedestrian) door unless the door opener is automatically disabled when the wicket door is open.

- ◆ **EMERGENCY RELEASE ACCESS:** If there is no separate pedestrian entrance, power outages occur frequently, and a backup battery is not in use, it is strongly recommended to install an external emergency release kit. This allows the trolley clutch to be released from outside the garage in the event of a power outage or door opener malfunction.



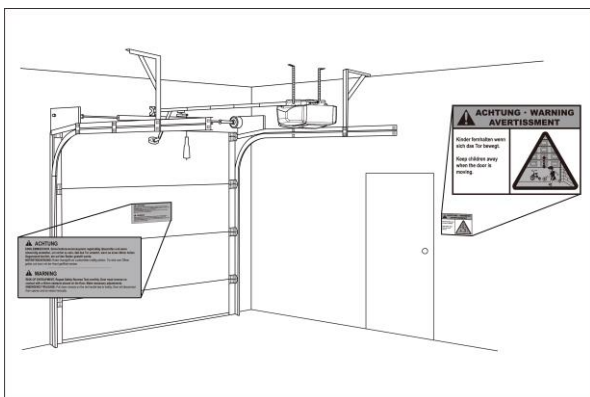
# Important Safety Information

## During Installation

- ◆ **INSTALLER AND END USER RESPONSIBILITY:** Installation must be performed by an experienced installer. Improper installation may result in property damage, serious injury, or death. The door opener is only one component of the entire garage door operating system. It is the responsibility of both the installer and the end user to ensure that the complete system is safe and suitable for its intended use.
- ◆ **POWER SUPPLY SAFETY:** Connect the power cord only to a properly grounded mains outlet. Always disconnect the power before performing any wiring or making adjustments to the door opener.
- ◆ **INSTALLATION POSITION:** Mount the door opener directly above the center of the garage door. Ensure adequate clearance between the door and surrounding structures during operation to reduce the risk of entrapment. Do not install the unit in damp or wet environments.
- ◆ **PERSONAL SAFETY PRECAUTIONS:** Do not wear rings, watches, or loose clothing while installing or servicing the door opener to reduce the risk of entanglement or injury.
- ◆ **INSTALL SAFETY SENSOR:** The door opener is designed to stop or reverse the garage door if it contacts an obstruction. For enhanced safety, it is strongly recommended to install a photocell sensor in the following situations: if you have children or pets at your property, the door opener auto close function is enabled, the door opener stall force is set to the maximum, or other door control devices are used.
- ◆ **ENTRAPMENT WARNING:** Exercise extreme caution around moving parts. Avoid approaching areas where fingers or hands could be caught. Always keep children, pets, and livestock away from a closing door.
- ◆ **DOOR CONTROL ACCESSORIES PLACEMENT:** User-operated door control accessories must be installed at least 1.5 meters (5 feet) above the ground, within sight of the garage door, but away from moving parts and out of reach of children. Outdoor or publicly accessible controls must include a security feature to prevent unauthorized use.

## After Installation

- ◆ **WARNING SIGNS:** Attach the provided warning signs in a clearly visible location or near any fixed controls. If the signs are damaged or missing, contact TOPENS Customer Support to request a PDF file.
- ◆ **DOOR SAFETY CHECK:** Ensure that no part of the garage door extends over public walkways or roadways. Disengage all existing door locks before operating the door opener. Activate the system only when the door is fully visible, free of obstructions, and properly adjusted.
- ◆ **SAFETY REVERSAL TEST:** Test the door opener monthly to ensure proper entrapment protection. The door must reverse upon contact with a 40mm (1.6") high object placed on the floor, or when triggered by the non-contact safety sensors. Always retest the system whenever the door opener is installed, reset, or after a power outage. Failure to perform this test may result in serious injury from a closing garage door.



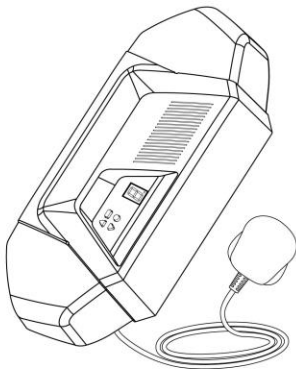
# Important Safety Information

- ◆ **AWAY FROM MOVING DOORS:** Keep children, pets, and livestock away from the door opener system, as moving garage doors pose a significant safety hazard. Never enter or exit through the garage door while it is in motion.
- ◆ **SECURE DOOR CONTROL ACCESSORIES:** Prevent children from accessing or playing with door control devices. Keep remote transmitters, keypads, and push buttons out of reach, and store them securely when not in use.
- ◆ **MAINTENANCE OF DOOR OPENER SYSTEM:** Regularly inspect the garage door, door springs, cables, pulleys, brackets, and related hardware for signs of wear, damage, or imbalance. Do not operate the system if any repairs or adjustments are needed. Always disconnect power to the door opener before cleaning or performing maintenance.
- ◆ **MANUAL RELEASE:** Use the manual release only to disengage the trolley - preferably only when the garage door is closed. Never use the emergency release handle to open or close the door. Exercise caution when using the manual release, as an open door may fall abruptly due to weak or broken springs or improper balance.
- ◆ **POWER SUPPLY NOTICE:** This product includes a specially designed transformer and power cord. If damaged, it must be replaced with an identical transformer obtained from your local distributor and installed by a qualified technician.
- ◆ **SAFETY AWARENESS:** Retain this installation manual for future reference. Ensure all users and individuals near the garage door system are aware of the potential hazards associated with automated door systems. If a replacement manual is needed, it can be downloaded from the TOPENS website ([www.topens.com](http://www.topens.com)).

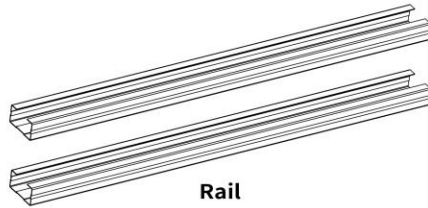
## Note For Warranty

- ◆ **WARRANTY LIMITED TO TARGET MARKET:** The warranty is limited to the target market (Contiguous United States, Canada, UK, and Germany). Customers using the product outside these regions will be responsible for any additional expenses during the warranty replacement process.
- ◆ **DOOR OPENER ABUSE:** TOPENS does not cover damage resulting from abuse, such as attempting to operate the door opener beyond its specified capacity or using it for unintended purposes.
- ◆ **DOOR OPENER MISUSE:** TOPENS does not cover damage resulting from misuse, including but not limited to operating the door opener with incompatible power sources or using it in environments not recommended by TOPENS.
- ◆ **ALTERATIONS OR MODIFICATIONS:** Alterations or modifications made to the door opener without prior consultation with TOPENS will also invalidate warranty coverage.
- ◆ **NON-COMPLIANCE WITH INSTRUCTIONS:** Failure to follow the installation instructions, including but not limited to improper installation, maintenance will void the warranty.
- ◆ **THIRD PARTY ACCESSORIES:** TOPENS does not cover damage caused by third party accessories, except those specifically recommended by TOPENS Customer Support. It is important to use only compatible accessories to ensure compatibility and prevent damage to the door opener.
- ◆ **CONTACT TOPENS SUPPORT:** Please ensure that the door opener is installed, operated, and maintained in accordance with the guidelines outlined in the installation manual to avoid voiding the warranty. If you have any questions regarding proper usage or need assistance with compatible accessories, please contact TOPENS Customer Support for guidance.
- ◆ **DETAILED WARRANTY POLICY:** If you have any questions regarding what is covered by the TOPENS warranty, refer to the policy at [www.topens.com/pages/topens-limited-warranty](http://www.topens.com/pages/topens-limited-warranty).

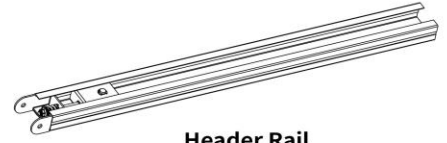
# Packing List



**Garage Door Opener**



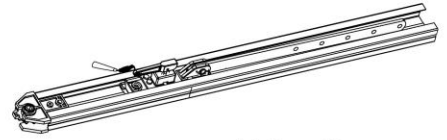
**Rail**



**Header Rail**



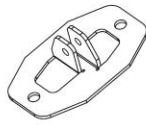
**Curved Door Arm**



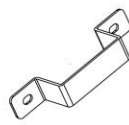
**Motor Side's Rail**



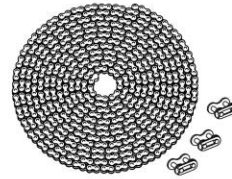
**Header Bracket**



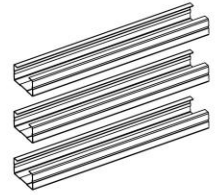
**Door Bracket**



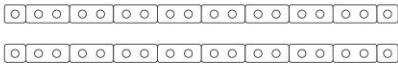
**U-Bracket**



**081 Roller Chain 6m (20 feet)  
& Master Link**



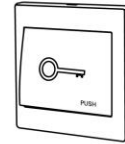
**Slide Rail Brace**



**Hanging Bracket**



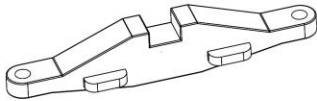
**M12 Remote Control**



**TC147 Wall Push Button**



**Warning Sign**



**Clutch Lock Block**



**R-pin (2)**



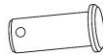
**Concrete Anchor (4)**



**6x40 Lag Screw (4)**



**8x80 Clevis Pin**



**8x20 Clevis Pin**



**M5x10 Pan Head Screw (2)**



**M8x16 Hex Bolt (4)**



**ST6.3x25 Self-Tapping  
Screw (2)**



**M8 Nut (4)**

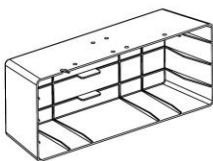


**ø5 Lock Washer (2)**

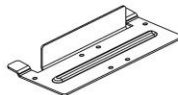


**ø5 Plain Washer (2)**

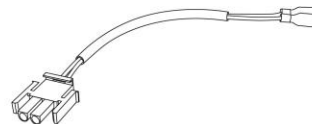
## Extra Parts for Backup Battery



**Battery Box**



**Battery Box Mounting Plate**

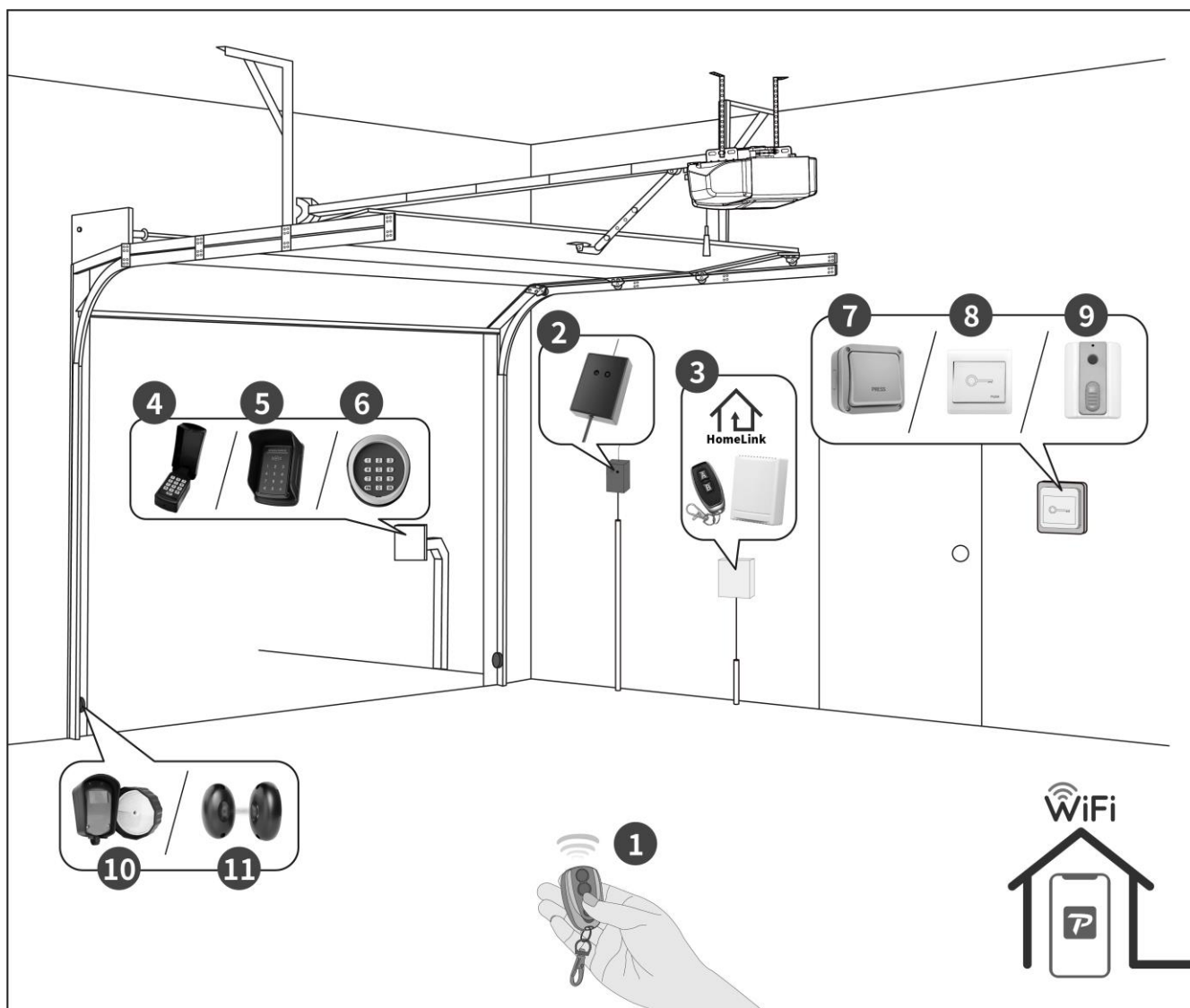


**Battery Output Cable**



**M4x6 Pan Head Screw (6)**

# Installation Overview

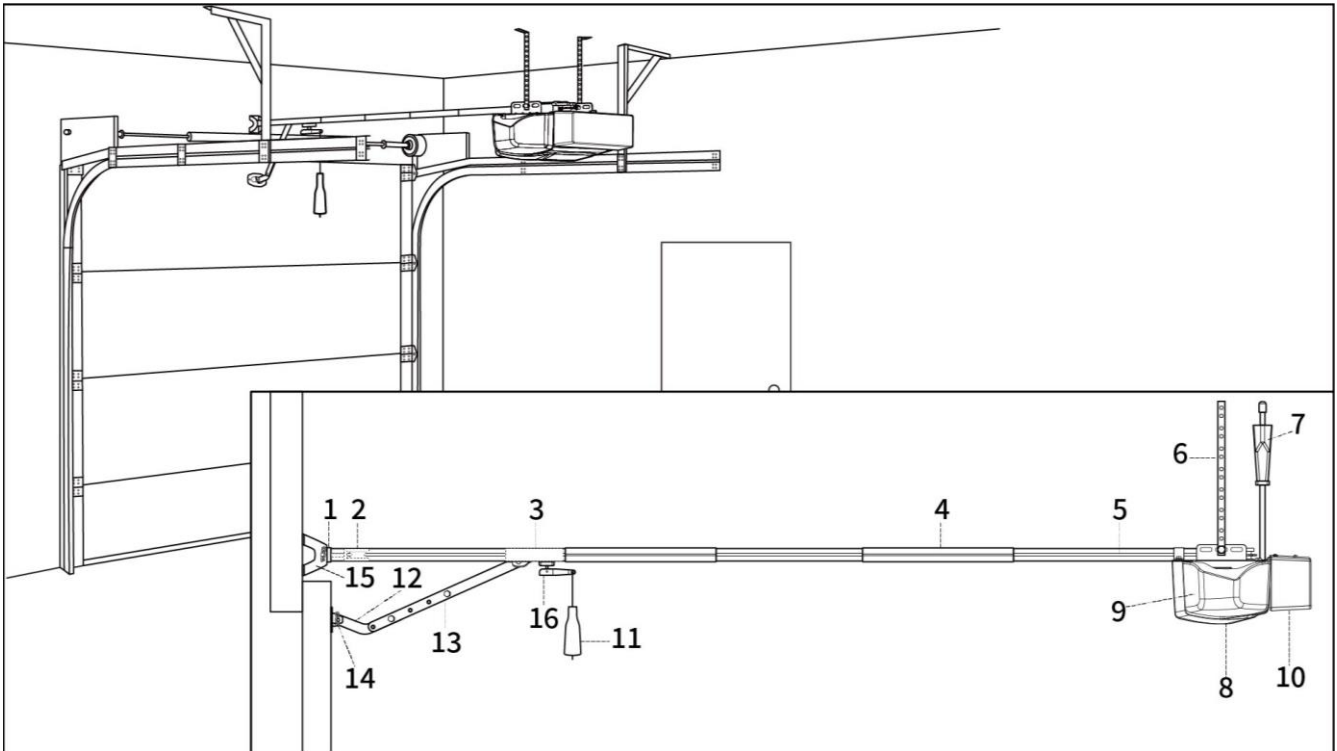


## Various TOPENS Accessories for the Garage Door Opener System

① M12 Remote Control	⑦ TC148 Waterproof Wall Push Button
② ERM12 External Receiver	⑧ TC147 Wall Push Button
③ HLR01 Homelink Remote Control Kit	⑨ TC173 Wireless Push Button
④ TC188 Universal Keypad	⑩ TRF3 Reflection Photocell Sensor
⑤ TC175P Wired Keypad	⑪ TC102 Infrared Photocell Sensor
⑥ TKP3 Wireless Keypad	

\* Available on the TOPENS website ([www.topens.com](http://www.topens.com)) and Amazon.

# Installation Overview



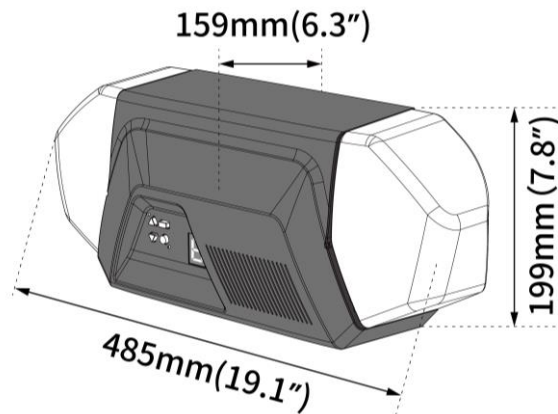
## Parts Illustration of the Garage Door Opener System

❶ Chain Tension Seat	❹ LED Bulb
❷ Idler Pulley & Bracket	❺ Backup Battery (Not Included)
❸ Trolley	❻ Manual Release Rope & Handle
❹ Rail	❼ Curved Door Arm
❺ Chain	❽ Straight Door Arm
❻ Hanging Bracket	❾ Door Bracket
❼ Power Cord	❿ Header Bracket
❽ Garage Door Opener	⓫ Rope Lever

# Specifications

Product Model	CZ120
Input Voltage	110-120VAC/60Hz
Motor Voltage	24VDC
Rated Power	120W
Standby Power	3W
Light Power	120V, 9W * 2
Door Moving Speed	120 mm/s (4.7 in/s)
Frequency	433.92MHz
Rated Force	300N
Max. Force	800N
Max. Door Height	2.3m (7.5 feet)
Max. Door Weight	80Kg (176lb)
Max. Door Area	12m <sup>2</sup> (129.2 ft <sup>2</sup> )
Headroom Required	≥30mm (1.2")
Working Temperature	-20°C ~ +50°C (0°F to 120°F)
Sound Level	<60 dB

## Overall Dimensions



# Before You Begin

## Garage Door Inspection and Preparation

- ◆ **Door Condition:** Ensure that the garage door is in good mechanical condition, properly balanced, and operates smoothly without binding, sticking, or excessive noise.
- ◆ **Hardware Inspection:** Inspect all springs, cables, pulleys, brackets, and related hardware for signs of wear, damage, or misalignment. Replace or repair any faulty components before installation.
- ◆ **Obstruction Removal:** Remove all unnecessary ropes, chains, or cables, and disable or remove any door locks that may interfere with the garage door opener's operation.
- ◆ **Door Reinforcement:** Reinforce lightweight fiberglass, aluminum, or steel garage doors with a manufacturer-approved reinforcement kit to prevent structural damage.
- ◆ **Clearance and Operating Space:** Ensure that the area around the garage door is free of obstacles and provides sufficient clearance for safe and complete door movement.
- ◆ **Mounting Surface Assessment:** Verify that the mounting surface is structurally sound and capable of supporting the weight and operational forces of the garage door opener unit.
- ◆ **Wicket Door Precaution:** Do not install the garage door opener on garage doors with wicket (pedestrian) doors unless the opener is automatically disabled when the wicket door is open.

## Test the Wi-Fi Signal Strength

- ◆ Make sure your smartphone is connected to your Wi-Fi network. Hold your smartphone at the location where your garage door opener will be installed and check the Wi-Fi signal strength.
- ◆ Please ensure that your Wi-Fi is set to 2.4GHz mode, as 5GHz is not supported.
- ◆ If there is no Wi-Fi signal or the signal is weak near the garage door opener, move your router closer to the door opener to reduce interference from walls and other objects, or consider using a Wi-Fi range extender.

## Tools Needed

- ◆ Hacksaw
- ◆ Small Flat-head and Cross-head Screwdrivers
- ◆ Hammer
- ◆ Power Drill
- ◆ Long Nose and Diagonal Cutting Pliers
- ◆ Wrench
- ◆ Tape Measure
- ◆ Level
- ◆ Pencil
- ◆ Ladder

## Items Not Included but May Be Needed

- ◆ **Battery:** If you choose to use a battery as a backup power source, you will need a 24V 5Ah battery (NOT included). Lead acid / GEL / AGM / flooded (deep cycle) batteries are supported, EXCEPT for lithium-ion batteries.
- ◆ **Wood Board:** May be used to fasten the header bracket to structural supports, position the garage door opener during installation, and perform the safety reverse test.
- ◆ **Support Bracket and Fastening Hardware:** Required for installations on finished ceilings to ensure secure and stable mounting of the garage door opener.
- ◆ **Bow Arm:** Required for one-piece garage doors without a track to ensure proper garage door opener operation.
- ◆ **Door Reinforcement:** Required if you have a lightweight fiberglass, aluminum, or steel garage door.
- ◆ **PVC Conduit:** Required to protect the cable connecting the TC102 infrared photocell sensor to the control board.

## Before You Begin

- ◆ **Connection Cable:** May be needed for the installation of wired accessories. Refer to the *Connect the Accessories* section of this manual to select and purchase the appropriate cable.
- ◆ **Weatherproof Cover:** Recommended for protecting any outdoor electrical outlets used in the installation.
- ◆ **Emergency Release Access:** If there is no separate pedestrian entrance, power outages occur frequently, and a backup battery is not in use, it is strongly recommended to install an external emergency release kit. This allows the trolley clutch to be released from outside the garage in the event of a power outage or door opener malfunction.

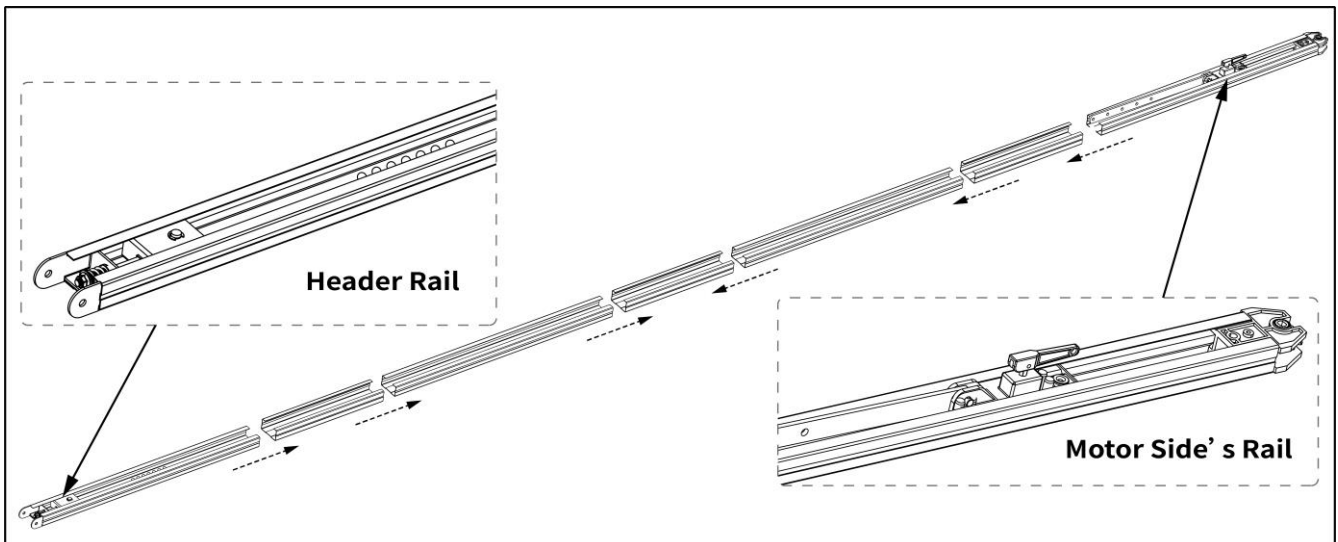
### Install Photocell Sensor

- ◆ It is highly recommended to install a photocell sensor in the following situations for safety: if you have children or pets at your property, the door opener auto close function is enabled, the door opener stall force is set to the maximum, or other door control devices are used.

# Assembly

## STEP 1 Assemble the Rail

- ◆ Lay out all rail pieces on a flat surface for assembly. All rail sections and slide rail braces are interchangeable.
- ◆ Connect the rails by sliding a slide rail brace onto one rail section and aligning it with the designated locating points on the back of the rail. Knock gently if needed to achieve a flush and secure fit.
- ◆ Repeat this process for the remaining rail sections until the entire rail assembly is complete.

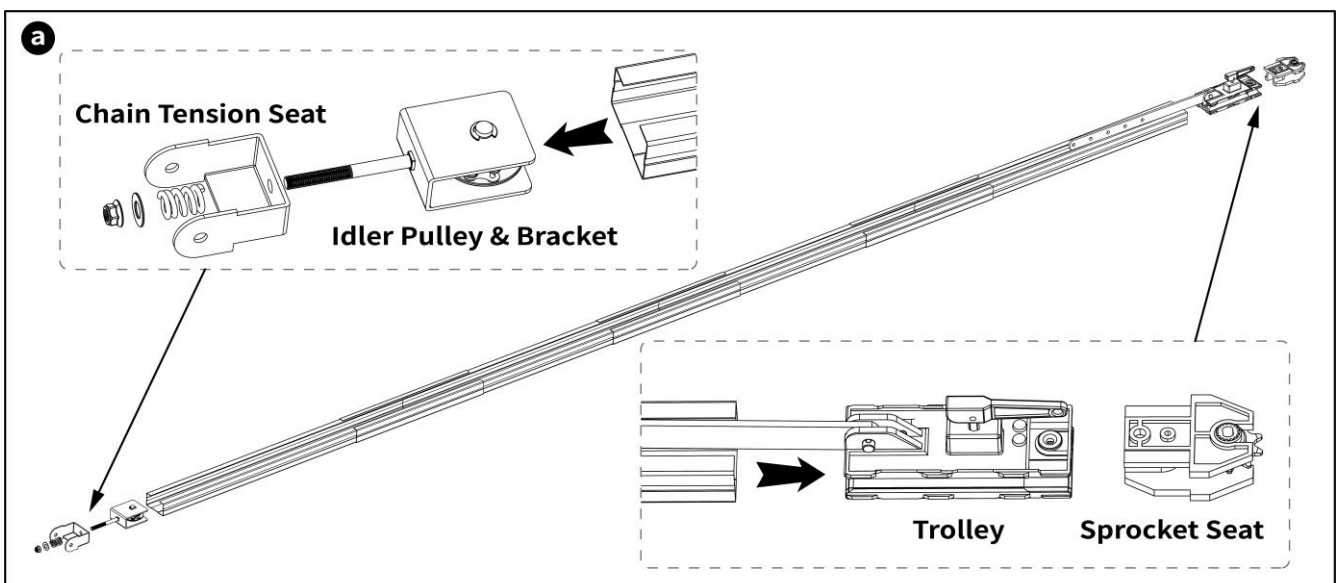


### NOTES:

- ◆ Position the header rail (the section with pre-drilled holes) at the end farthest from the garage door opener. These holes are used for final adjustment and setting the optimal closing position.
- ◆ To prevent injury, keep hands and fingers clear of joints and rail edges during assembly. Wearing protective gloves is strongly recommended.

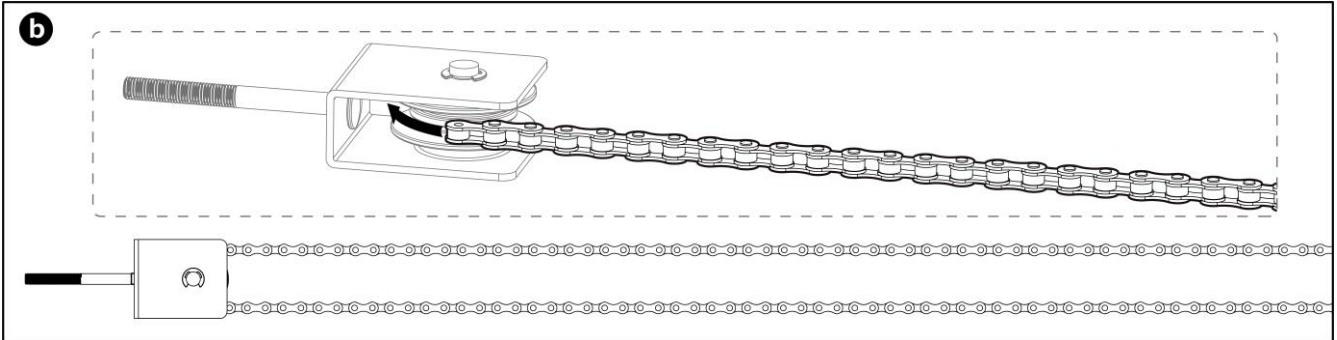
## STEP 2 Assemble the Chain

- ◆ Remove the chain tension seat and the idler pulley & bracket from the header rail. Also, remove the sprocket seat and trolley from the motor side's rail.

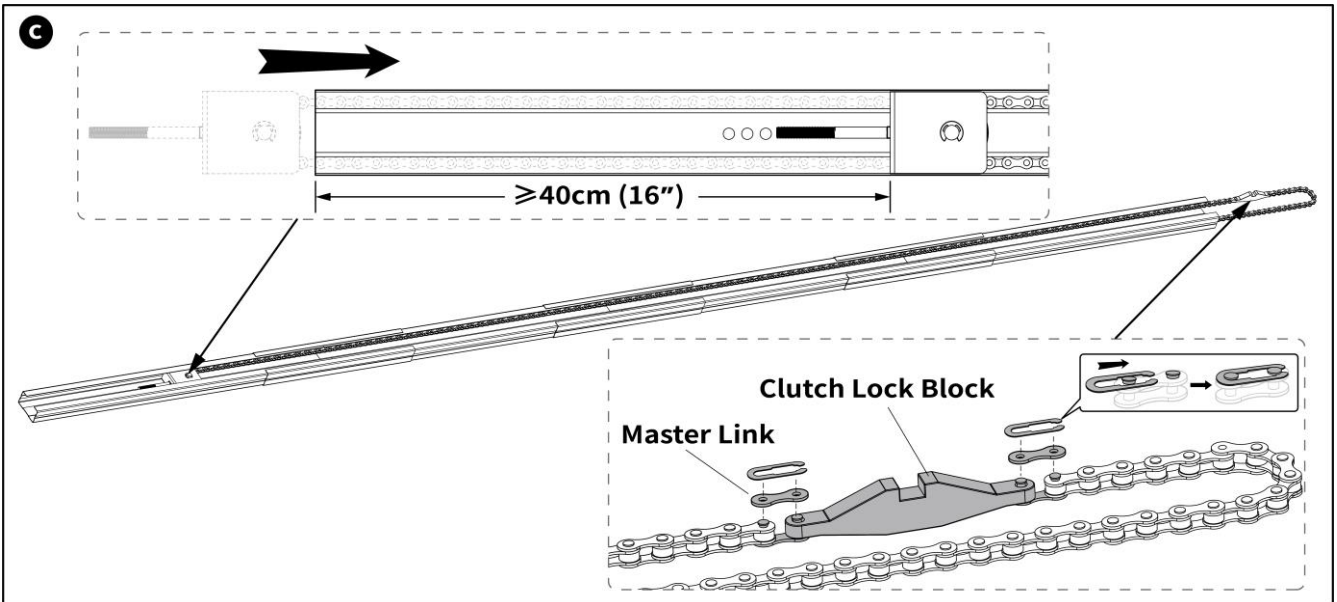


# Assembly

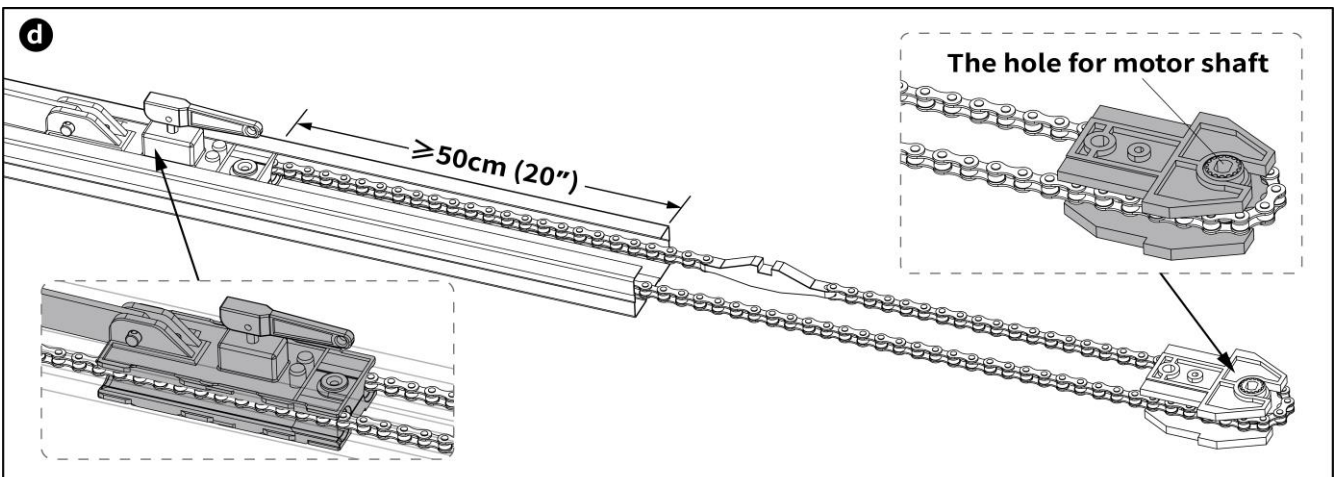
- ◆ Thread the chain through the idler pulley & bracket, ensuring that it moves smoothly and is free of twists.



- ◆ Install the idler pulley & bracket by inserting it into the rail and gently knocking it into place. Ensure that it is positioned at least 40cm (16") from the end of the rail.
- ◆ Place the chain into the rail and stretch it out straight. Make sure the chain is not twisted.
- ◆ Connect the clutch lock block to the chain using the provided master link. Ensure that the two protrusions face outward for proper engagement with the trolley.

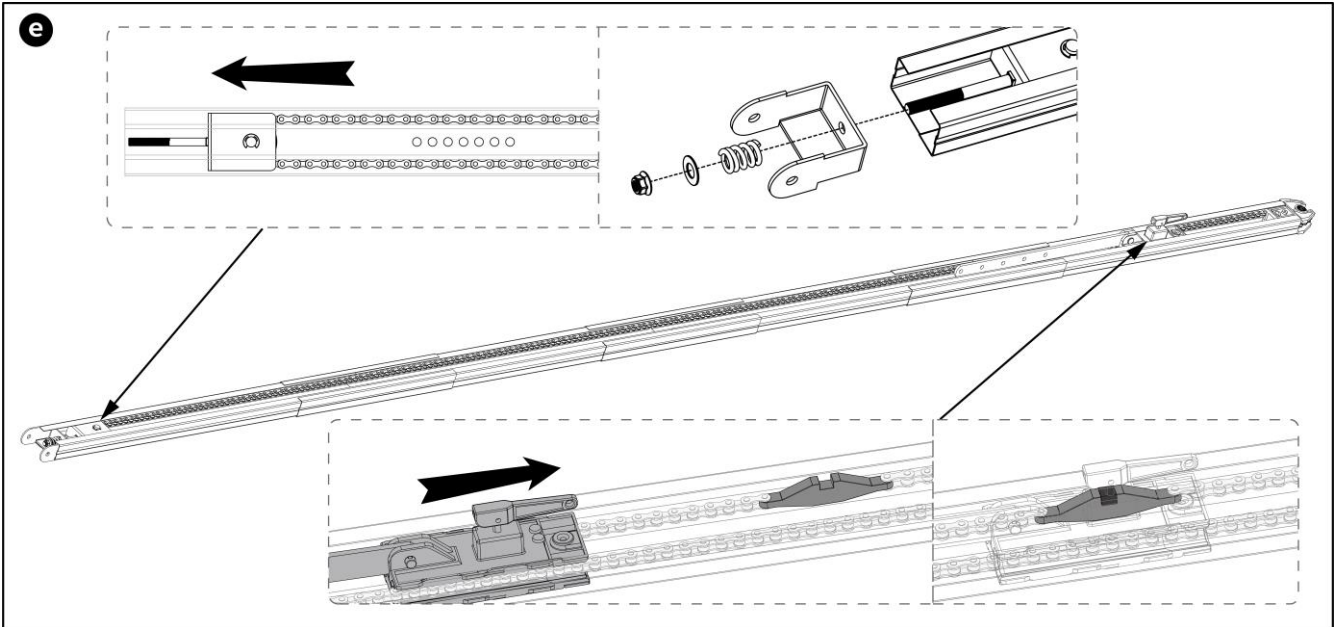


- ◆ Assemble the trolley, positioning it at least 50cm (20") from the end of the rail. Then install the sprocket seat, ensuring that the hole for the motor shaft faces upward and the teeth engage properly with the chain. Verify that the chain is not twisted.



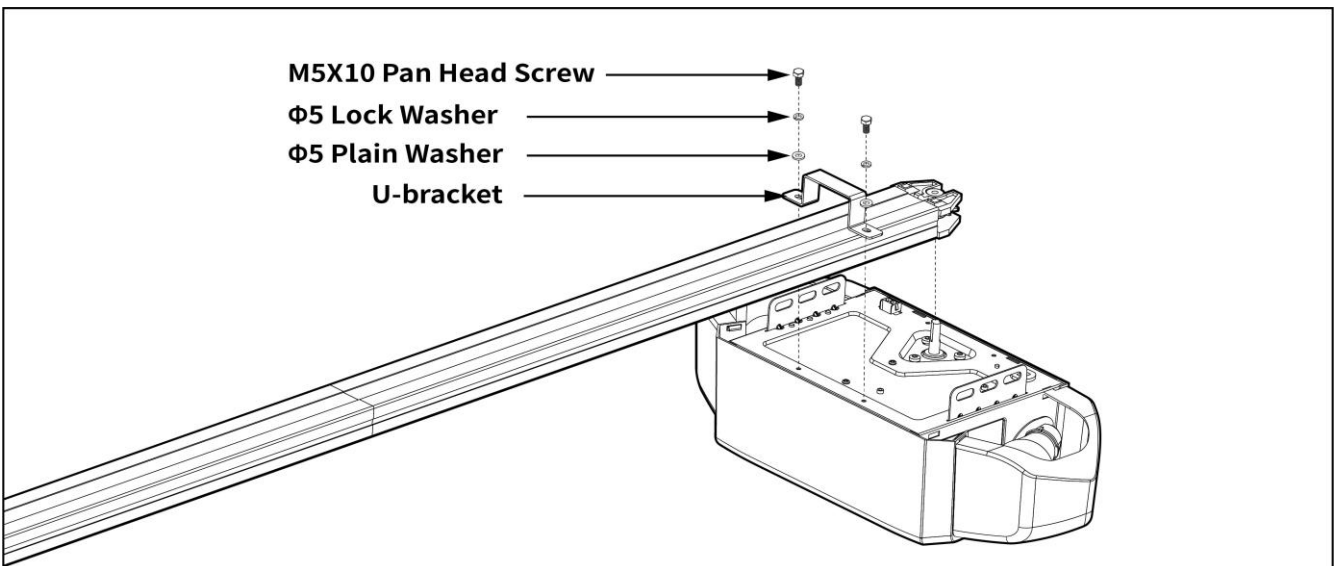
# Assembly

- ◆ Knock the idler pulley & bracket slightly backward to allow the sprocket seat to click securely into the rail.
- ◆ Reinstall the chain tension seat and adjust it to ensure proper chain tension.
- ◆ Hold the straight door arm to slide the trolley toward the clutch lock block until it engages and locks the clutch in place.



## STEP 3 Fasten the Rail to the Garage Door Opener

- ◆ Insert the garage door opener's motor shaft into the sprocket. Then, secure the assembly by installing the U-bracket using M5 x 10 Pan Head Screws,  $\Phi 5$  Lock Washers, and  $\Phi 5$  Plain Washers.
- ◆ The assembly of your garage door opener is now complete.



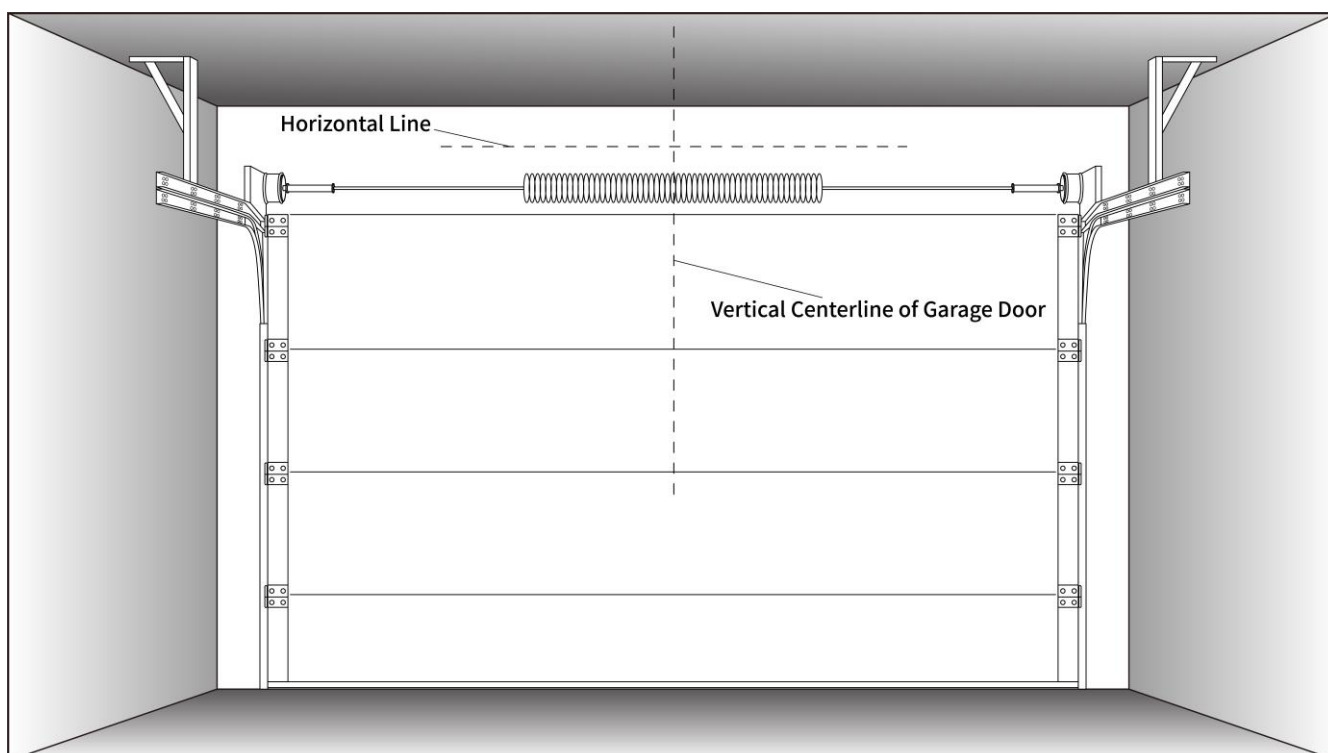
# Installation

## CAUTION

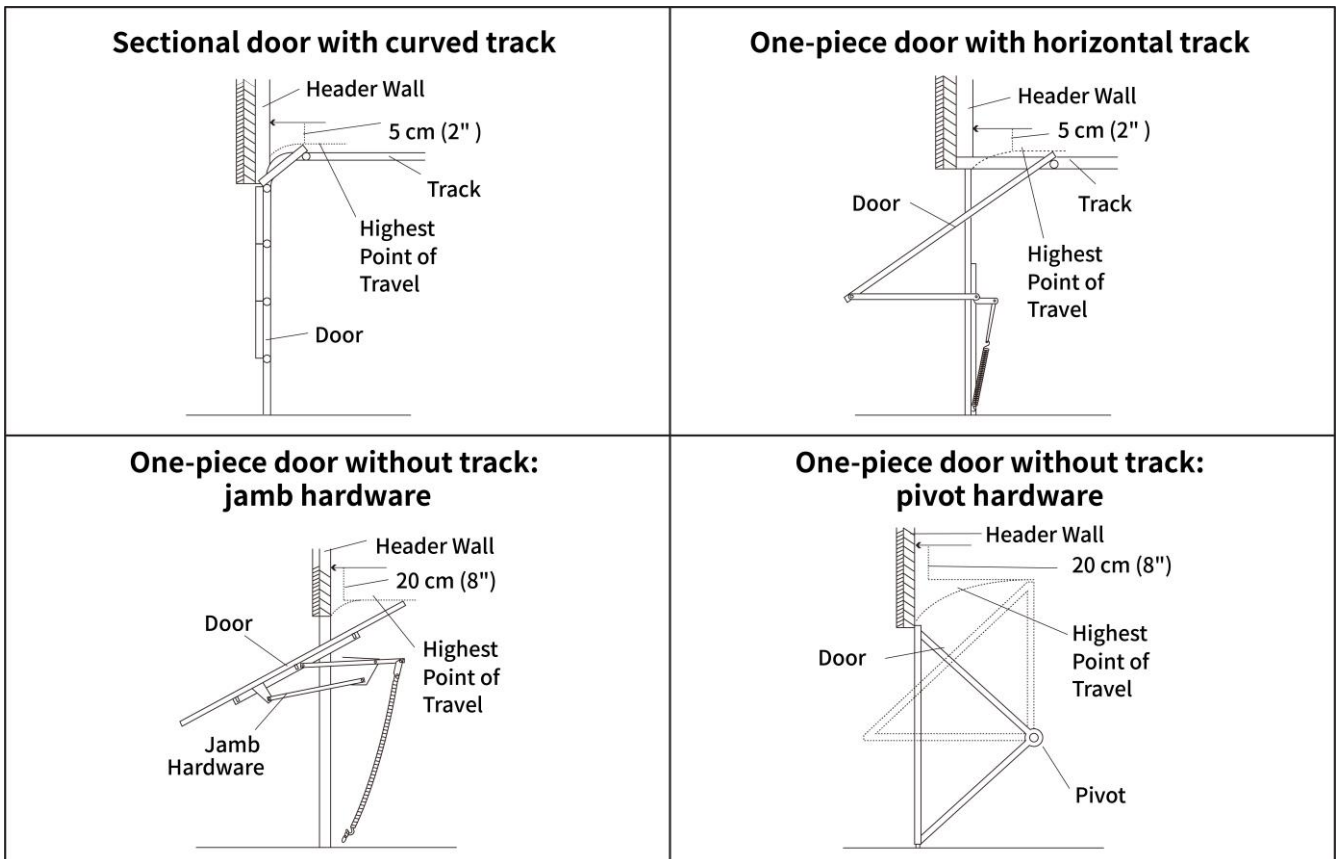
- ◆ *Install the garage door opener only on a properly balanced and lubricated garage door. An improperly balanced door may not reverse when required and could cause severe injury or death.*
- ◆ *All repairs to cables, spring assemblies and other hardware must be completed by a trained door systems technician before installing the garage door opener.*
- ◆ *Disable all locks and remove all ropes connected to garage door before installation to avoid entanglement.*

## STEP 1 Determine the Header Bracket Location

- ◆ Close the garage door and mark its vertical centerline on the inside. Extend this line upward onto the header wall above the door.
- ◆ Open the door to its highest point of travel. On the header wall, draw a horizontal line that intersects the vertical centerline at the appropriate clearance height. This ensures sufficient space for the garage door opener to operate smoothly and prevents contact with the top edge of the door during movement. Use the following guidelines to determine the proper clearance height:
  - **5cm (2")** above the highest point for sectional doors and one-piece doors with tracks
  - **20cm (8")** above the highest point for one-piece doors without tracks



# Installation



**NOTE:** For one-piece doors without a track, an additional bow arm is required for proper garage door opener operation.

## STEP 2 Install the Header Bracket

The header bracket can be mounted either on the wall above the garage door or on the ceiling. Follow the option that best suits your installation requirements.

### Option A - Wall Installation

- ◆ Center the header bracket on the vertical centerline, with the bottom edge aligned with the horizontal line and the opening facing toward the ceiling.
- ◆ Mark the bracket hole locations. Drill 4.5mm (3/16") pilot holes and securely fasten the bracket using the provided 6 x 40 Lag Screws.

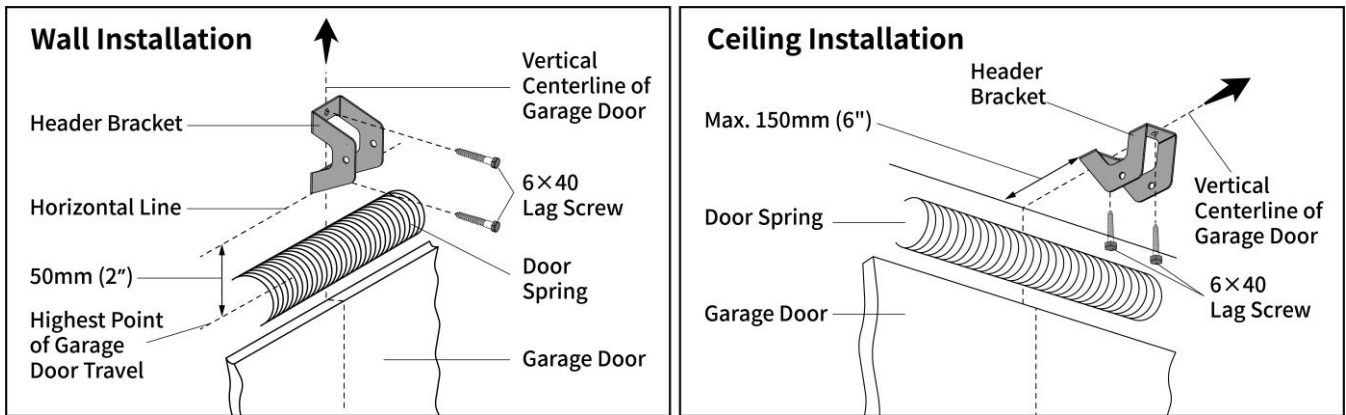
### Option B - Ceiling Installation

- ◆ Extend the vertical centerline onto the ceiling.
- ◆ Center the header bracket on the vertical mark, no more than 150mm (6") from the wall, with the opening facing toward the garage door opener.
- ◆ Mark the bracket hole locations. Drill 4.5mm (3/16") pilot holes and securely fasten bracket using the provided 6 x 40 Lag Screws.

### NOTES:

- ◆ The header bracket must be rigidly fastened to a structural support on header wall or ceiling. If necessary, reinforce the mounting surface with a 40mm (1.6") board. Improper installation may prevent the garage door opener from reversing when required, posing a safety hazard.
- ◆ Do not install the header bracket over drywall.
- ◆ If installing into masonry, use the provided concrete anchors.

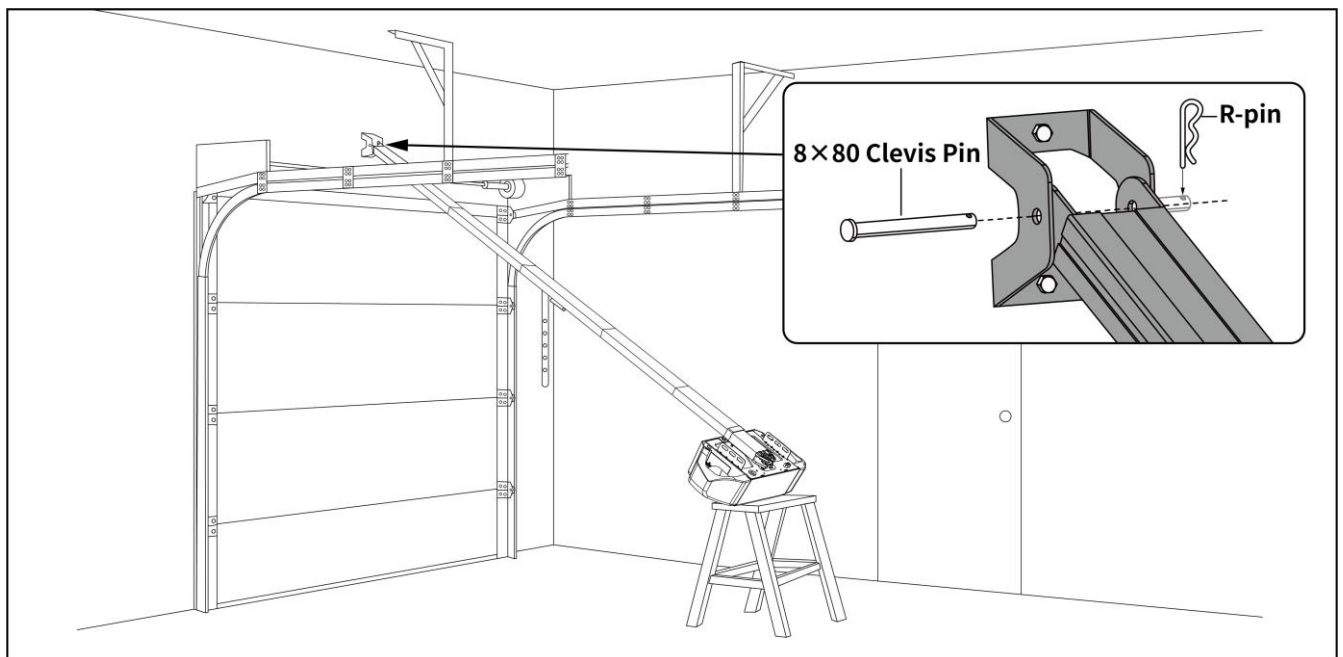
# Installation



## STEP 3 Attach the Rail to the Header Bracket

- ◆ Place the garage door opener on the garage floor directly beneath the header bracket. Use packing material to protect both the unit and the floor surface.
- ◆ Raise the rail and attach the end with the chain tension seat to the header bracket using the 8 x 80 Clevis Pin. Insert the "R" pin to secure the connection.

**NOTE:** The garage door opener may need to be lifted onto a temporary support. Ensure it is either securely supported or held firmly in place by another person during installation.



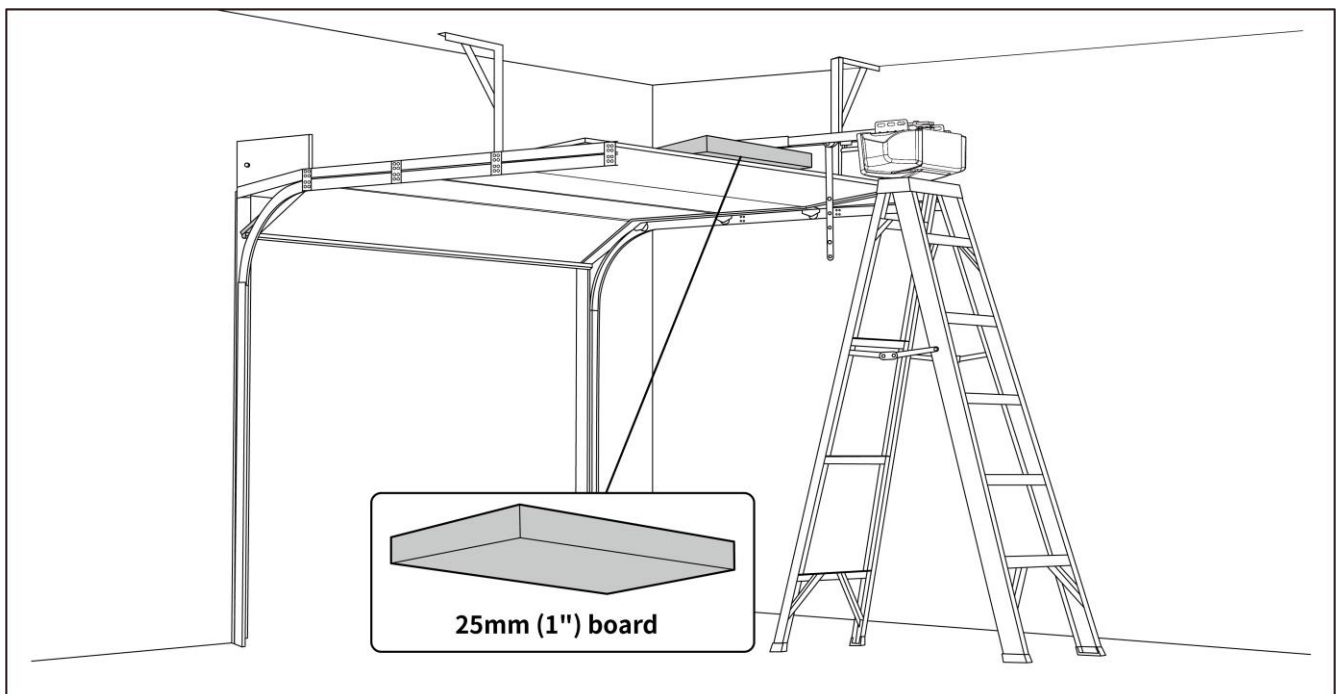
# Installation

## STEP 4 Position the Garage Door Opener

- ◆ Lift the garage door opener onto a ladder.
- ◆ Fully open the garage door. Place a 25mm (1") board flat on the top section of the door near the centerline, and rest the rail on it.

### NOTES:

- ◆ A 25mm (1") board helps maintain the proper distance between the rail and the garage door, preventing potential damage to the door.
- ◆ If the ladder is not tall enough, assistance may be needed at this stage.
- ◆ If the door contacts the trolley when it is raised, pull down the trolley release arm to disconnect the inner and outer trolley sections. Slide the outer trolley toward the garage door opener. The trolley can remain disconnected until the door arm is attached.



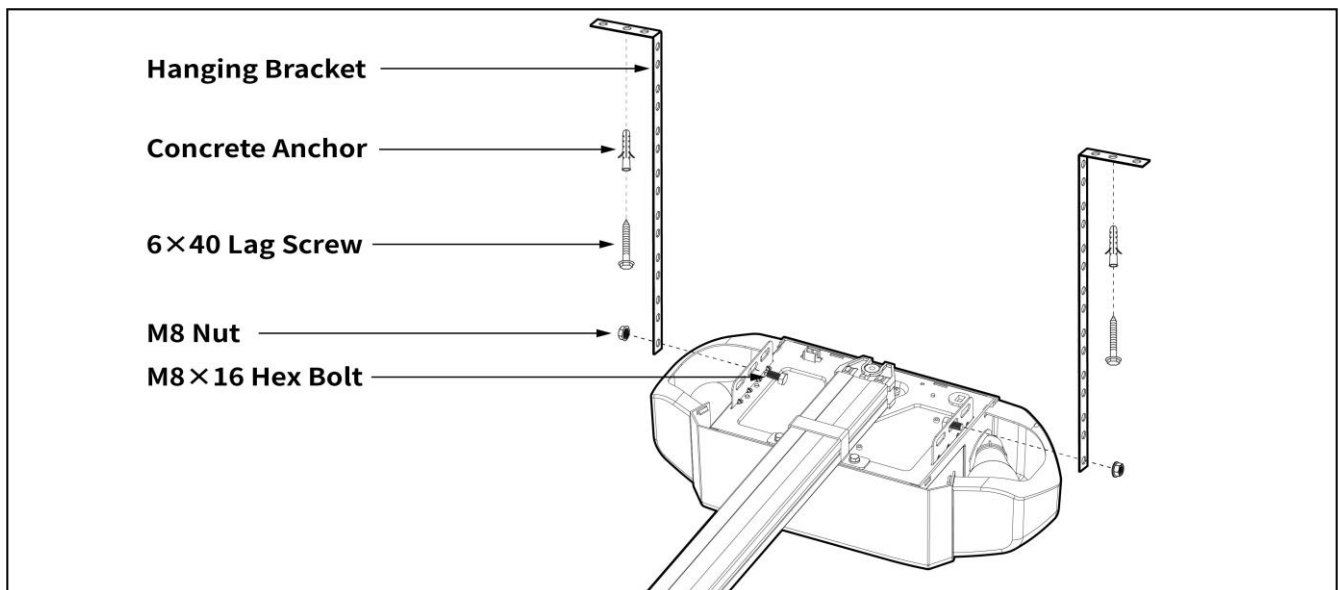
# Installation

## STEP 5 Hang the Garage Door Opener

Hanging requirements may vary depending on your garage's structure. For finished ceilings, install a suitable support bracket (not provided) onto the structural framing before mounting the garage door opener.

- ◆ Align the garage door opener with the header bracket. Measure the distance from each side of the opener's ceiling mounting bracket to the ceiling or support bracket.
- ◆ Bend both hanging brackets as needed to match the required length, ensuring they sit flush against the ceiling.
- ◆ Attach the hanging brackets to the garage door opener using M8 x 16 Hex Bolts and M8 Nuts.
- ◆ Secure the bent ends of the hanging brackets to the ceiling or ceiling-mounted support bracket.
  - **For wood ceilings**, drill 4mm (0.16") pilot holes and fasten directly using the provided 6 x 40 Lag Screws.
  - **For concrete ceilings**, drill 8mm (0.3") pilot holes, insert the provided concrete anchors, and fasten with the 6 x 40 Lag Screws.
- ◆ Remove the 25mm (1") board and manually close the door. If the door hits the rail, raise the header bracket accordingly.

**NOTE:** To prevent serious injury from a falling garage door opener, ensure all mounting brackets are fastened securely to structural supports of the garage.



# Installation

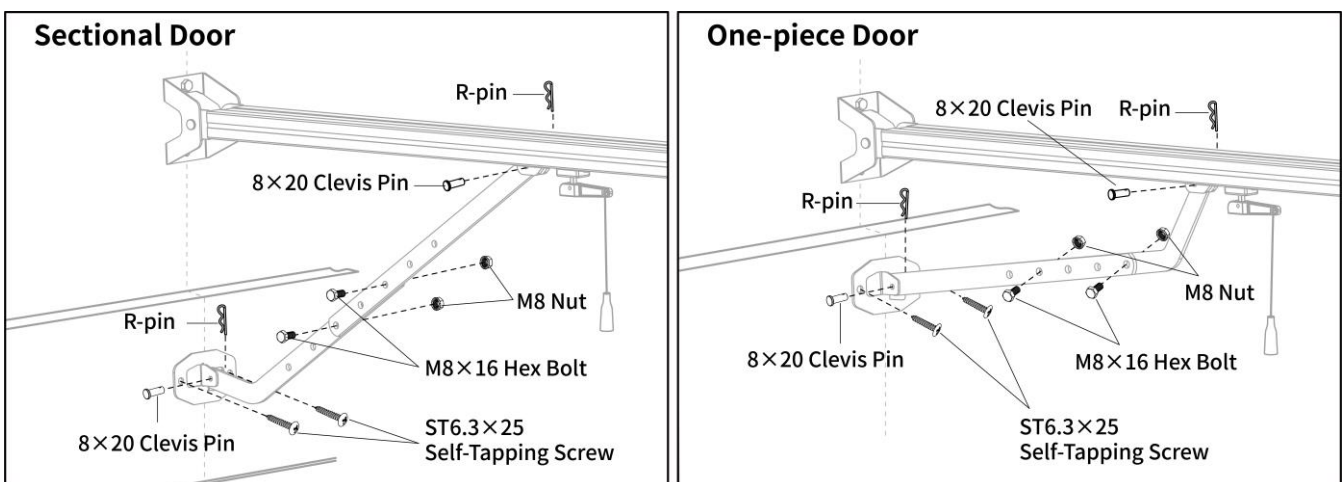
## STEP 6 Assemble the Door Arm and Install the Door Bracket

Installation may vary depending on the type of garage door. Follow the applicable instructions below.

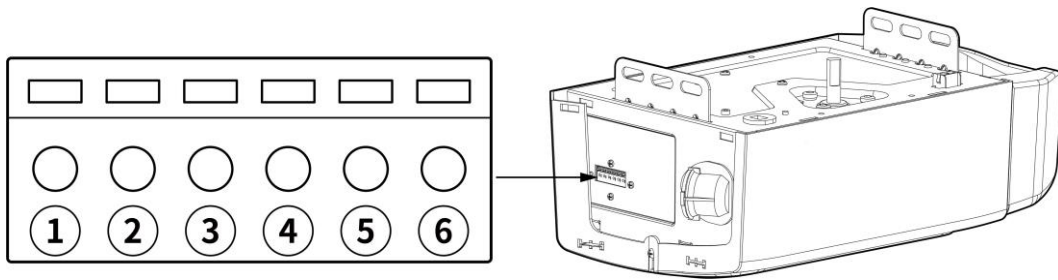
- ◆ Fully close the garage door.
- ◆ Assemble the door arm:
  - **For sectional doors**, attach the curved door arm to the straight door arm using M8 x 16 Hex Bolts and M8 Nuts, with a 2- or 3-hole overlap to achieve the maximum possible length.
  - **For one-piece doors**, disconnect the straight door arm from the trolley and connect the curved door arm to it instead. Then attach the straight door arm to the curved arm with 2- or 3-hole overlap using M8 x 16 Hex Bolts and M8 Nuts.
- ◆ Attach the door bracket to the end of the door arm using the provided 8 x 20 Clevis Pin and the “R” pin.
- ◆ Disconnect the trolley by pulling the emergency release handle. Pull the door arm and move the trolley to the appropriate hole position in the rail.
- ◆ Attach the door bracket to the garage door, aligning it with the previously marked vertical centerline used during the header bracket installation. Mark the mounting holes, drill the pilot holes, then securely fasten the door bracket to the door using the ST6.3 X 25 Self-Tapping Screws.

### NOTES:

- Reinforce the lightweight fiberglass, aluminum, or steel garage doors before installing the door bracket. Both horizontal and vertical reinforcement (not included) are needed.
- The door bracket has left and right side mounting holes. If your installation requires both top and bottom mounting holes, use the door bracket plate (not included) for additional support.
- For canopy-style one-piece doors, a door arm conversion kit is required. Follow the specific instructions included with the kit. Exercise care during assembly, and keep fingers clear of any sliding or moving parts.



# Control Board Terminal Functions



Terminal	Function
① ( "GND" ) ② ( "O/S/C" )	Control gate operation through a normally open dry contact signal input, commonly connected to push button, wired keypad, and external receiver for cyclic gate operation (open/stop/close/stop).
③ ( "GND" ) ④ ( "PHOTO" )	Receive signal input from a photocell sensor, operating on a normally closed (NC) input basis, connected to "NC" and "COM" terminals of the sensor respectively.
⑤ ( "+24" ) ⑥ ( "GND" )	Positive and negative output terminals provide 24VDC power to accessories (rated output current less than 100mA).

## NOTES:

- ◆ *The terminals are located on one side of the garage door opener, near the LED bulb. Please remove the bulb cover and the opener casing before wiring.*
- ◆ *To insert or release wires from the terminals, press and hold the tab using the tip of a screwdriver.*

# Connect the Power Supply

## WARNING

- ◆ *A professional electrician is required for wire connection to avoid the risk of injury, electric shock, or death. Never connect the garage door opener to an electrical outlet until the installation is fully completed.*
- ◆ *Ensure that the system is properly grounded to prevent the risk of electrocution or fire.*

## Power Mode 1 — Use AC Electricity Only

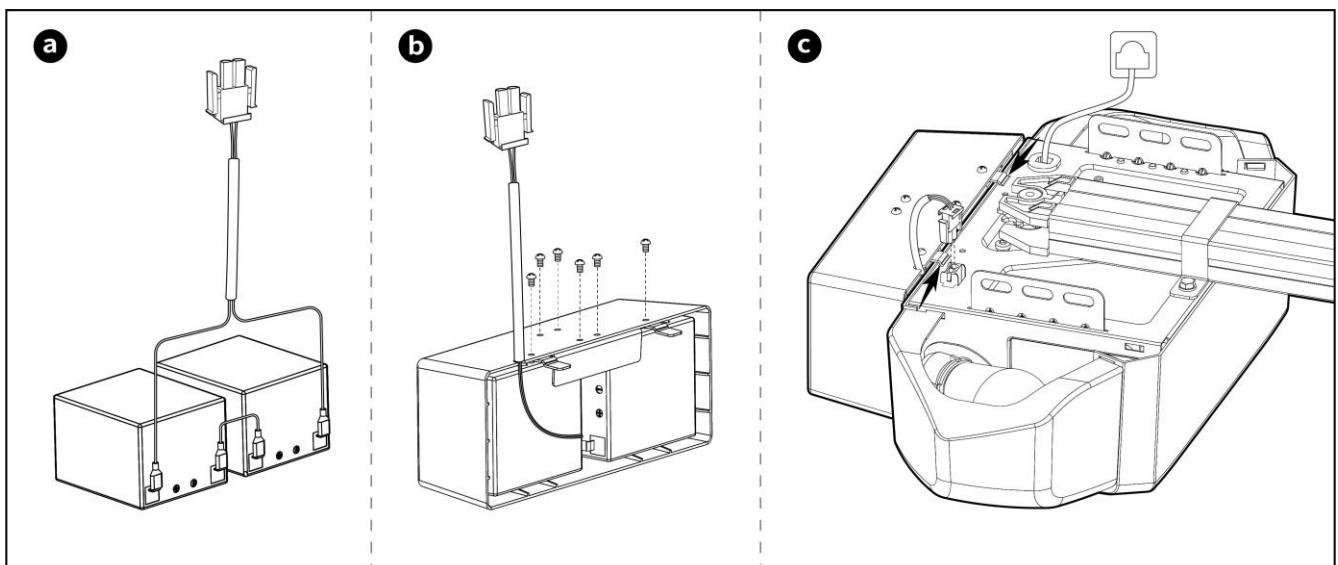
- ◆ The specification of the power cord is 1.5m (5ft.), 3C x 0.82 mm<sup>2</sup> (18AWG).
- ◆ Plug the power cord directly into a grounded outlet. The digital display will flash from “9” to “1” and finally to “L” or “H”, while the LED bulbs turn on.

### NOTES:

- ◆ *The LED bulbs will turn on automatically when the remote control or any other door control device is used, or when the garage door opener is operating. They will turn off automatically after 3 minutes of inactivity.*
- ◆ *When “L” or “H” appears on the digital display, it indicates that the garage door opener is in standby mode. This indicator cannot be cancelled or cleared.*

## Power Mode 2 — By AC Electricity and Backup Batteries

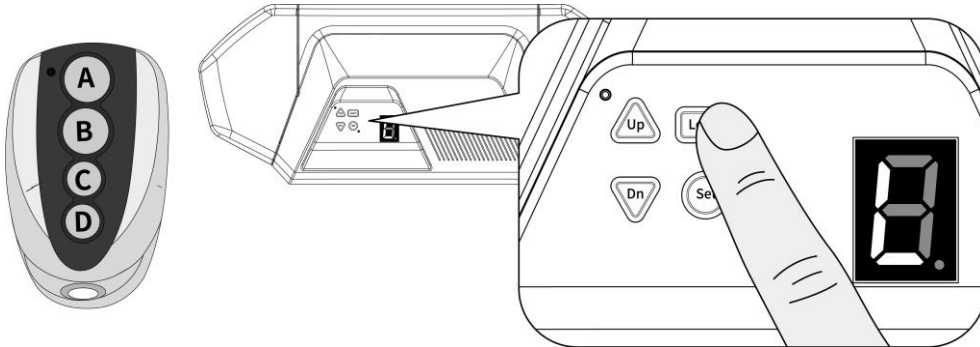
- ◆ If AC power failures occur occasionally, you can use a minimum of 24VDC 5Ah lead acid battery as a backup power source while using AC electricity to charge the battery.
- ◆ Connect two 12VDC batteries in series to achieve 24VDC (batteries not included), then connect the Battery Output Cable to the batteries.
- ◆ Place the batteries into the Battery Box, and install the Battery Box Mounting Plate onto the Battery Box using the M4 x 6 Pan Head Screws.
- ◆ Attach the assembled battery box to the garage door opener, then connect the Battery Output Cable to the terminal on the garage door opener.
- ◆ Plug the power cord directly into a grounded outlet.



# Program the Remote Control

## NOTES

- ◆ Before programming the remote control, ensure that the garage door opener is correctly and completely assembled.
- ◆ Operate the garage door opener only when the garage door is fully visible, free of obstructions, and properly adjusted. Never enter or exit the garage while the door is closing. Ensure that children, pets and livestock stay clear of the door at all times.
- ◆ If you lose any remote control, please erase and reprogram all remaining remote controls for safety.



## Function of the Remote Control Button

- ◆ Each remote control has four buttons, from top to bottom are separately A, B, C and D.
- ◆ For the garage door opener, all four buttons share the same function. You can use any of these buttons to program with the door opener.
- ◆ Each press of the programmed button will cycle the door through open, stop, close, stop, and open.

## How to Program the Remote Control

The remote control MUST be programmed to the garage door opener before use. The remote controls that come with the door opener are preprogrammed.

If you purchase additional remote controls, or if the programmed remotes are not working, repeat the programming steps below for each remote control.

### Enter Programming Mode

- ◆ Press and release the “Learn” button on the garage door opener. The digital display will show “.”, indicating that the door opener is now in programming mode.

### Program the Remote Control

- ◆ Press the remote control button you want to program once, then press it again after the LED on the remote turns off.
- ◆ The digital display will flash “.” and then back to “L” or “H”, indicating successful programming.

## Additional Remote Controls

- ◆ The garage door opener can pair Max. 8 M12 remote controls on its own, and up to 250 with the ERM12 External Receiver (sold separately on the TOPENS website [www.topens.com](http://www.topens.com)).

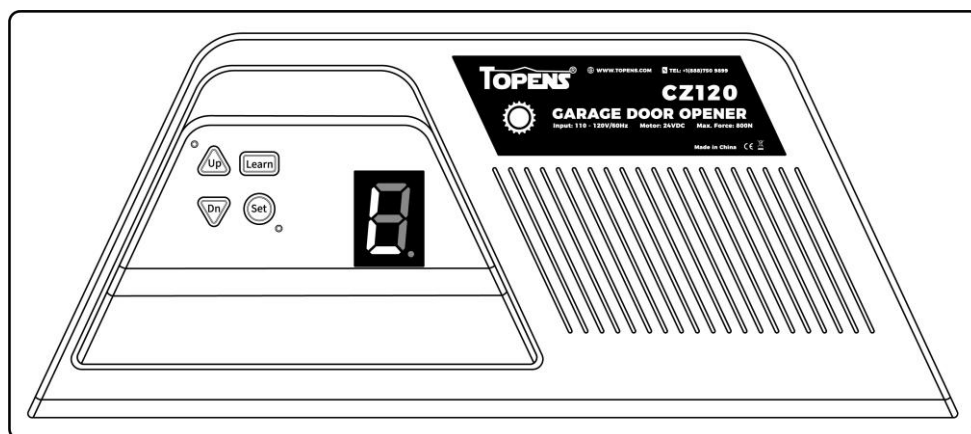
## How to Erase All Programmed Remote Controls

- ◆ Press and hold the “Learn” button on the garage door opener. The digital display will first show “.”. Continue holding the button until the display shows “L” or “H”. Now all programmed remote controls have been erased.

# Configure the Control Board Settings

## WARNING

- ◆ Stay clear of the garage door during setup to prevent injury from unexpected door movement.
- ◆ Carefully adjust the settings to prevent the risk of damaging the garage door opener and causing injury or death.
- ◆ After making any adjustments, test the safety reverse system. The door must reverse upon contact with a 40mm (1.6") high object placed on the floor.
- ◆ Always seek assistance from a professional technician or electrician if you have any questions.



## Function of the Buttons on the Garage Door Opener

**Learn:** Used to program or erase a remote control. For detailed instructions, refer to the *Program the Remote Control* section of this manual.

**Up, Dn, and Set:** Used to configure the garage door opener's settings. Refer to the following instructions for step-by-step guidance.

## Before Setting

- ◆ Ensure that the garage door opener is properly and securely mounted.
- ◆ Plug the power cord into a grounded power outlet. The digital display will flash "L" or "H", indicating that the garage door opener is in standby mode and ready for configuration.

## Set the Open and Close Limit Positions

The open and close limit positions are interrelated. Once the garage door opener enters Limit Setting Mode, both positions must be adjusted together.

### Set the Open Limit Position

- ◆ Press and hold the "Set" button until the digital display shows "1".
- ◆ Press and release the "Set" button again. The "1" will flash, indicating that the garage door opener has entered Open Limit Position Setting Mode.
- ◆ Press and hold the "Up" button to open the door. Release the button when the door reaches the desired open position.
- ◆ Use the "Up" or "Dn" button to fine-tune the open position.
- ◆ Press the "Set" button to store the data when the desired open limit position is set. The display will show "1" steadily, confirming that the setting is complete.
- ◆ Press the "Up" button to select "2" to proceed with setting the Close Limit Position.

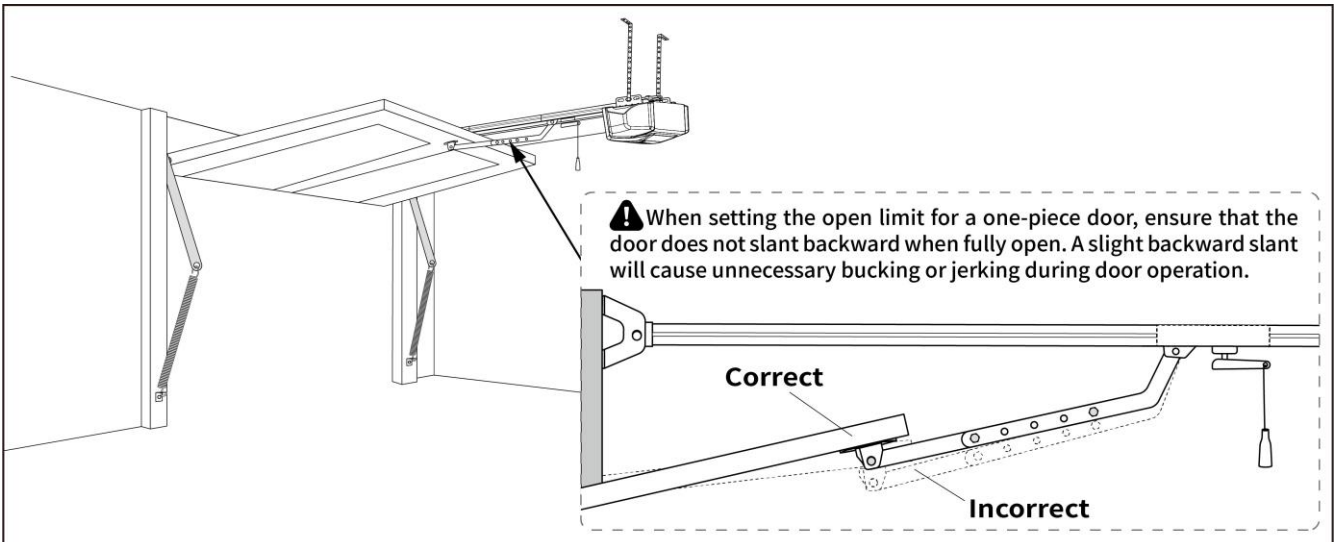
# Configure the Control Board Settings

## Set the Close Limit Position

- ◆ When the digital display shows “2” , press and release the “Set” button. The “2” will flash , indicating that the garage door opener has entered Close Limit Position Setting Mode.
- ◆ Press and hold the “Dn” button to close the door. Release the button when the door reaches the desired closed position.
- ◆ Use the “Up” or “Dn” button to fine-tune the closed position.
- ◆ Press the “Set” button to store the data when the desired close limit position is set. The display will show “2” steadily, confirming that the setting is complete.
- ◆ Press the “Up” button to proceed with other settings.
- ◆ If no additional adjustments are needed, press and hold the “Set” button until “L” or “H” appears on the digital display to return to standby mode. If no action is taken within 30 seconds, the system will automatically return to standby mode.

### IMPORTANT NOTES:

- *Improperly setting the garage door travel limits may cause the safety reversal system to malfunction.*
- *Ensure that the fully opened door provides sufficient clearance to avoid damage to vehicles or objects.*



## Set the Stall Force

Stall force regulates the garage door’s sensitivity to obstacles during operation. A higher stall force decreases sensitivity, making the door less likely to detect objects. Conversely, a lower stall force increases sensitivity, causing the door to stop or reverse more readily when encountering even minor obstructions.

### Set the Open Stall Force

- ◆ When the digital display shows “3” , press and release the “Set” button. The “3” will flash, indicating that the garage door opener has entered Open Stall Force Setting Mode.
- ◆ The open stall force can be adjusted across 9 levels (from “1” for minimum open force to “9” for maximum open force; the factory default is “4” ). Each press of the “Up” button increases the value by 1, and each press of the “Dn” button decreases the value by 1.
- ◆ Press the “Set” button to store the data when the desired open stall force is set. The display will show “3” steadily, confirming that the setting is complete.
- ◆ Press the “Up” or “Dn” button to proceed with other settings.
- ◆ If no additional adjustments are needed, press and hold the “Set” button until “L” or “H” appears on the digital display to return to standby mode. If no action is taken within 30 seconds, the system will automatically return to standby mode.

# Configure the Control Board Settings

## Set the Close Stall Force

- ◆ When the digital display shows “4”, press and release the “Set” button. The “4” will flash, indicating that the garage door opener has entered Close Stall Force Setting Mode.
- ◆ The close stall force can be adjusted across 9 levels (from “1” for minimum close force to “9” for maximum close force; the factory default is “4”). Each press of the “Up” button increases the value by 1, and each press of the “Dn” button decreases the value by 1.
- ◆ Press the “Set” button to store the data when desired close stall force is set. The display will show “4” steadily, confirming that the setting is complete.
- ◆ Press the “Up” or “Dn” button to proceed with other settings.
- ◆ If no additional adjustments are needed, press and hold the “Set” button until “L” or “H” appears on the digital display to return to standby mode. If no action is taken within 30 seconds, the system will automatically return to standby mode.

**IMPORTANT NOTE:** *The appropriate stall force setting depends on the door’s height and weight, so fine-tuning may be required. Please see the detailed steps in the Stall Force Adjustment and Safety Reverse Test section of this manual.*

## Set the Auto Close Time

The auto close function allows the garage door to automatically close after a set period.

- ◆ When the digital display shows “5”, press and release the “Set” button. The “5” will flash, indicating that the garage door opener has entered Auto Close Time Setting Mode.
- ◆ The auto close time can be adjusted across 10 levels (from “0” to “9”). “1” sets a 10-second delay, and “9” sets a 90-second delay. The factory default is “0”, which means the auto close function is disabled. Each press of the “Up” button increases the value by 1, and each press of the “Dn” button decreases the value by 1.
- ◆ Press the “Set” button to store the data when the desired auto close time is set. The display will show “5” steadily, confirming that the setting is complete.
- ◆ Press the “Up” or “Dn” button to proceed with other settings.
- ◆ If no additional adjustments are needed, press and hold the “Set” button until “L” or “H” appears on the digital display to return to standby mode. If no action is taken within 30 seconds, the system will automatically return to standby mode.

**IMPORTANT NOTE:** *When the auto close function is enabled, the photocell sensor is highly recommended to be installed with the garage door opener for safety.*

## Set the Safety Photocell Beam (SPB) System

- ◆ When the digital display shows “6”, press and release the “Set” button. The “6” will flash, indicating that the garage door opener has entered Safety Photocell Beam System Setting Mode.
- ◆ Press and release the “Up” button. The display will show “1”, indicating that the photocell sensor function is enabled. Press and release the “Dn” button. The display will show “0”, indicating that the photocell sensor function is disabled. The factory default is “0”.
- ◆ Press the “Set” button to store the data when the SPB system is set. The display will show “6” steadily, confirming that the setting is complete.
- ◆ If no additional adjustments are needed, press and hold the “Set” button until “L” or “H” appears on the digital display to return to standby mode. If no action is taken within 30 seconds, the system will automatically return to standby mode.

**IMPORTANT NOTE:** *Set the SPB system to 1 to enable the photocell sensor function if you want to use the photocell sensor with the garage door opener.*

# Stall Force Adjustment & Safety Reverse Test

## Fine Tune the Stall Force

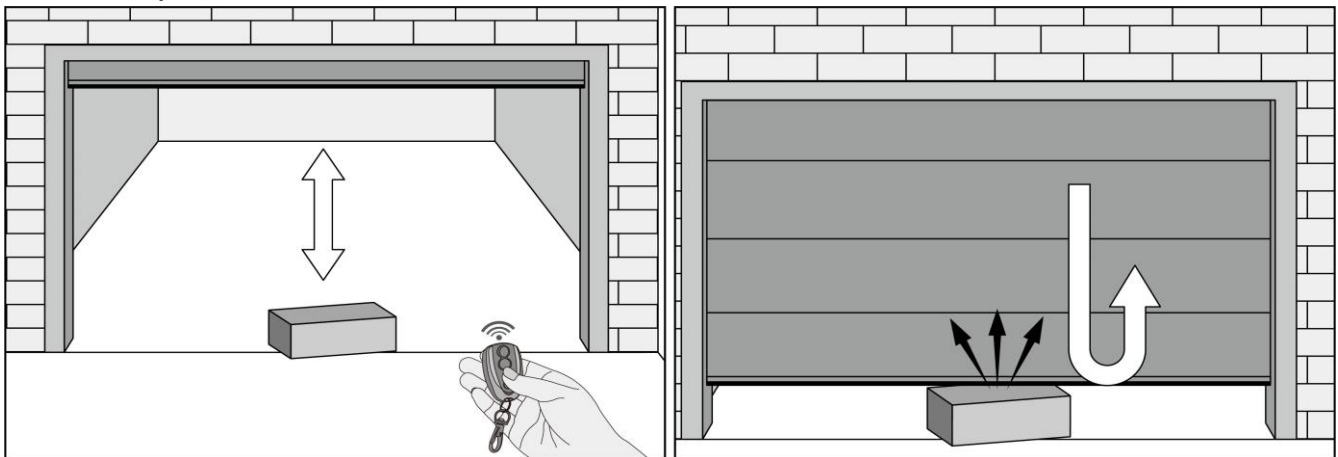
The stall force should be high enough to ensure the garage door reaches both open and close limits without reversing unnecessarily or causing frequent interruptions, but low enough to prevent injury if an obstruction is encountered. The appropriate stall force setting depends on the door's height and weight, so fine-tuning may be required. Follow these steps to adjust the stall force:

- ◆ **Initial Assessment:** Use the remote control to open and close the garage door. Observe whether the door moves smoothly and reaches both limits.
- ◆ **Adjust the Stall Force:** If the door reverses or stops before reaching the fully closed or open position, increase the stall force as instructed in the *Configure the Control Board Settings* section or the TOPENS Smart Garage Door Opener App User Manual of this manual.
- ◆ **Perform the Safety Reverse Test:** Run the test after each stall force adjustment (see below).

## Safety Reverse Test

This test ensures that the garage door opener's automatic obstruction-sensing feature is functioning correctly. The door should have enough force to reach the close limit position, but it must reverse upon contact with a solid object while closing.

- ◆ **Operate the Door:** Use the remote control to open and close the door, confirming that it stops precisely at both the open and close limit positions.
- ◆ **Prepare the Test:** With the door fully open, place a solid object (e.g., a board at least 40mm [1.6"] high) flat on the floor, centered under the door.
- ◆ **Run the Closing Cycle:** Close the door using the remote. The door should reverse immediately upon contacting the object.
- ◆ **Adjust if Necessary:** If the door stops on the object but does not reverse, remove the object, adjust the open and close limit positions and stall force settings, then retest.
- ◆ **Final Check:** After the door successfully reverses upon contact with the object, remove the object and run a full open and close cycle. The door must not reverse when reaching the close limit position. If it does, re-adjust the open and close limit positions and stall force settings, then repeat the test.



### NOTES:

- ◆ The garage door opener is designed to reverse the door when it encounters an obstruction during closing and to stop the door during opening. If the stall force is set too low (i.e., sensitivity is too high), the door may stop or reverse too easily, even with minimal obstruction or resistance.
- ◆ Improper stall force adjustment can result in serious personal injury or property damage.
- ◆ Perform a safety reverse test monthly, or whenever the garage door opener is installed, reset, or after a power outage.
- ◆ The test requires a rigid, distortion-free door to make firm contact with an obstruction. If the door bends easily, it may become crooked when it contacts an object and fails to reverse. In this case, installing a photocell sensor is strongly recommended for added protection.

# Connect the Accessories

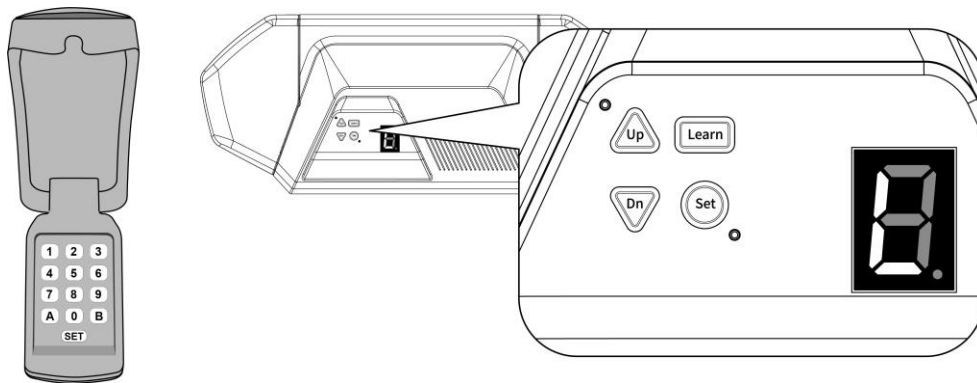
## NOTES

- ◆ This section covers only the programming and wire connections with the garage door opener. For additional operations, please refer to the corresponding accessory user manual.
- ◆ It is highly recommended to install a photocell sensor in the following situations for safety: if you have children or pets at your property, the door opener auto close function is enabled, the door opener stall force is set to the maximum, or other door control devices are used.

## TC188 Universal Keypad

Operate the garage door using a user-defined password. You can use this keypad wirelessly or wire it to the garage door opener according to your needs.

### Wireless Mode Programming and Operation



#### Step 1 Program a New Master Code

Factory default master code is 9999, all codes should be 4 digits in length.

SET 4 digits Old Master Code SET 01 SET 4 digits New Master Code SET 4 digits New Master Code SET

#### Step 2 Add a New Permanent Entry Code

SET Master Code SET 02 SET Entry Code SET Entry Code SET

#### Step 3 Program with the Garage Door Opener

- ◆ Enter the permanent entry code while the keypad is in standby. The LED backlight will flash slowly.
- ◆ Press and release the “Learn” button on the garage door opener. The digital display will show “.”, indicating that the door opener is now in programming mode.
- ◆ Press button A (or B) once. The LED backlight will flash quickly. Press it again once the backlight changes from a rapid to a slow flash.
- ◆ The digital display will flash “.” and then back to “L” or “H”, indicating successful programming.

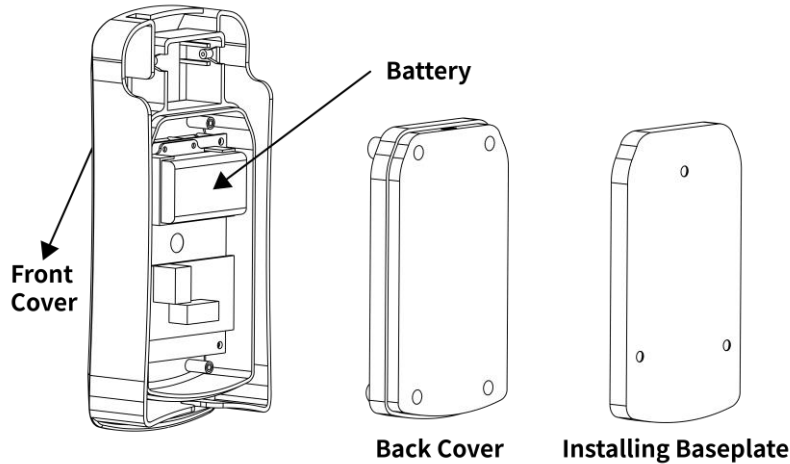
#### Step 4 Operate the Garage Door Opener

Input the entry code and then press the programmed button A (or B) to operate the garage door. Within 3 seconds of pressing button A (or B), you can press the button again without re-entering the code to operate the door.

# Connect the Accessories

## Wired Mode Connection and Operation

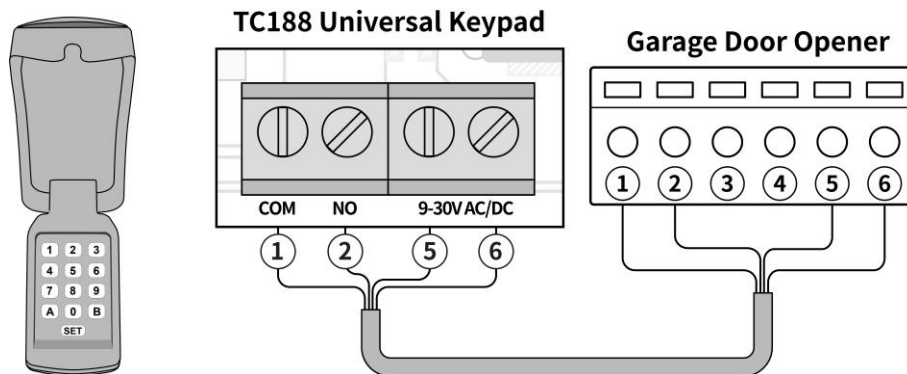
### Step 1 Remove the Battery



### Step 2 Wire Connection

Turn off the power to the garage door opener before wire connection. Connect the “COM” and “NO” terminals to the door opener terminal ① and terminal ②. Then connect the “9-30V AC/DC” terminals to door opener terminal ⑤ and terminal ⑥. Polarity does not matter for these connections.

**NOTE:** A 4C x 0.3 mm<sup>2</sup> (22AWG) cable is required for the wire connection, but it is NOT included.



### Step 3 Program a New Master Code

Factory default master code is 9999, all codes should be 4 digits in length.

SET 4 digits Old Master Code SET 01 SET 4 digits New Master Code SET 4 digits New Master Code SET

### Step 4 Add a New Permanent Entry Code

SET Master Code SET 02 SET Entry Code SET Entry Code SET

### Step 5 Operate the Garage Door Opener

Input the entry code and then press button A (or B) to operate the garage door. Within 3 seconds of pressing button A (or B), you can press the button again without re-entering the code to operate the door.

# Connect the Accessories

## TKP3 Wireless Keypad

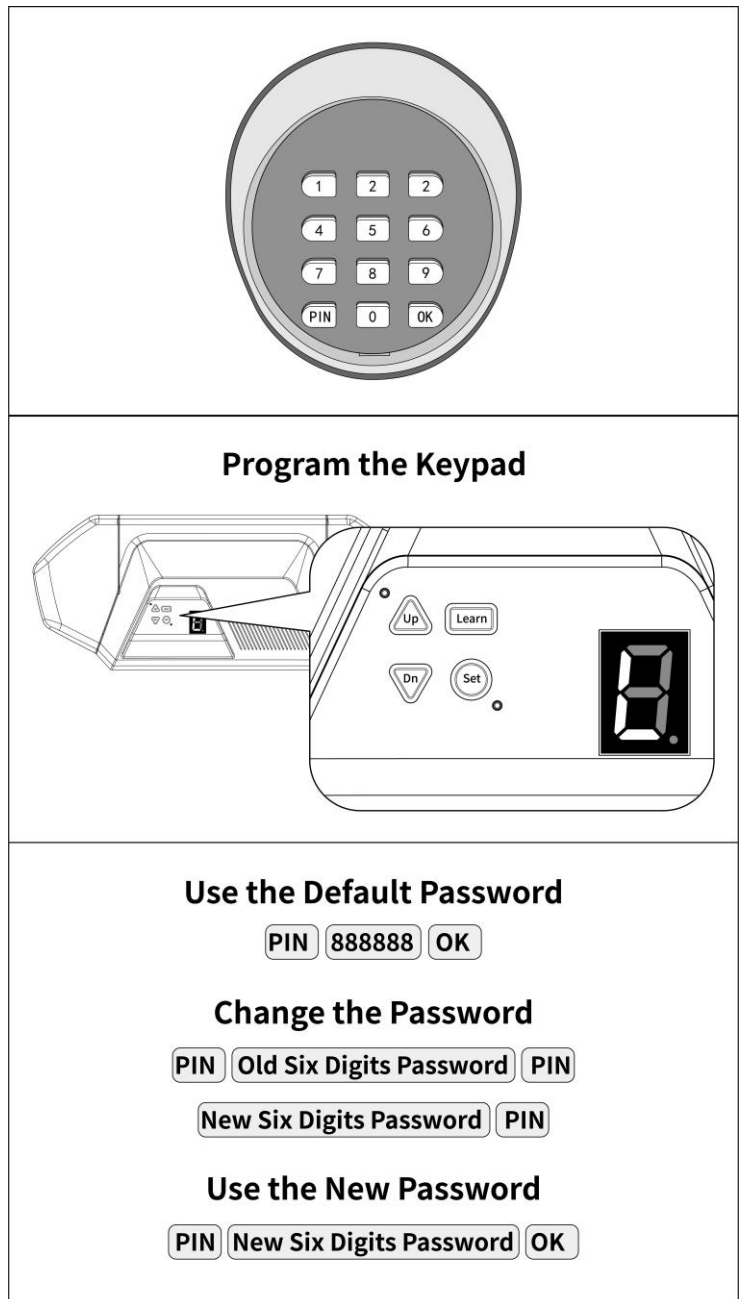
Operate the garage door with a user defined password

### Programming and Operation

- ◆ Press and release the “Learn” button on the garage door opener. The digital display will show “.”, indicating that the door opener is now in programming mode.
- ◆ Press the button “OK” on the keypad and the digital display will flash “.” and then back to “L” or “H”, indicating successful programming.
- ◆ Use the default password “888888” to operate the garage door opener. Press “PIN” “888888” and then press the button “OK” to operate the door opener. Just one press of the button “OK”, the moving door will stop for quick passing through.

### Change the Password

- ◆ Press “PIN”, input the old six digits password, and then press the “PIN” again, the digital display shows “.”.
- ◆ Input the new six digits password and then press the “PIN” to confirm the new setting, the digital display will flash “.” and then back to “L” or “H” which indicates that the password has been changed successfully.
- ◆ Press “PIN” “new six digits password” and then press the button “OK” to operate the garage door opener.



### NOTES:

- ◆ Each button press during programming must be completed within 1 second to ensure successful programming.
- ◆ If you forget the password, you can reset the keypad to restore the default code “888888” by reprogramming it.
- ◆ For optimal performance, it is recommended to program no more than two keypads to a single garage door opener at a time. To add another keypad, simply repeat the steps provided above.

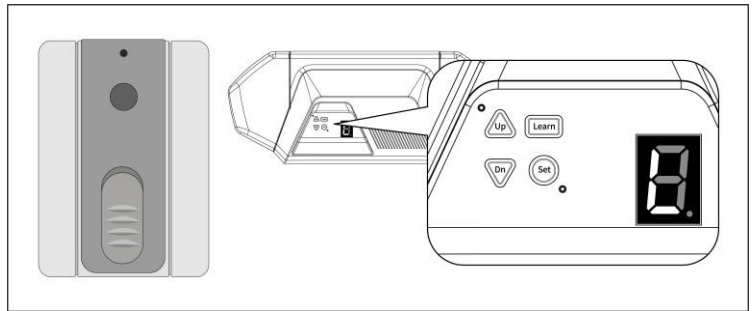
# Connect the Accessories

## TC173 Wireless Push Button

Open / close the garage door by pressing the wireless button

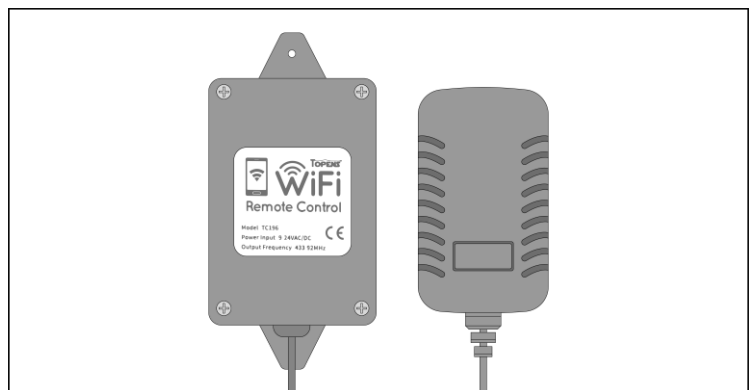
### Programming and Operation

- ◆ Press and release the “Learn” button on the garage door opener. The digital display will show “.”, indicating that the door opener is now in programming mode.
- ◆ Press the push button once, then press it again after the LED on the push button turns off. The digital display will flash “.” and then back to “L” or “H”, indicating successful programming.
- ◆ Each press of the button will cycle the door through open, stop, close, stop, and open.



## TC196 Tuya WiFi Remote Control

- ◆ Control the garage door opener with your cellphone anytime and anywhere when the remote controller is connected with WiFi.
- ◆ Please see detailed connection steps in TC196 user manual.



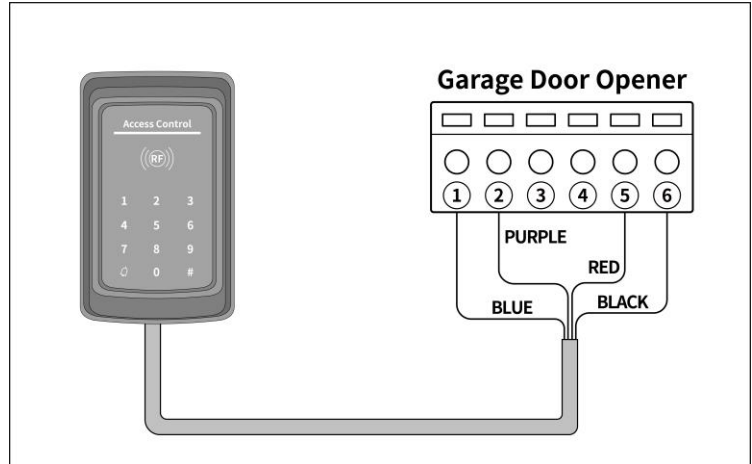
# Connect the Accessories

## TC175P Wired Keypad

Operate the garage door with a user defined password / ID card

### Wire Connection

- ◆ Turn off the power to the garage door opener before wire connection.
- ◆ Connect the wires from the JP2 terminals of the wired keypad to the garage door opener.
- ◆ Connect the RED wire to the garage door opener terminal ⑤.
- ◆ Connect the BLACK wire to the garage door opener terminal ⑥.
- ◆ Connect the BLUE wire to the garage door opener terminal ①.
- ◆ Connect the PURPLE wire to the garage door opener terminal ②.



### NOTES:

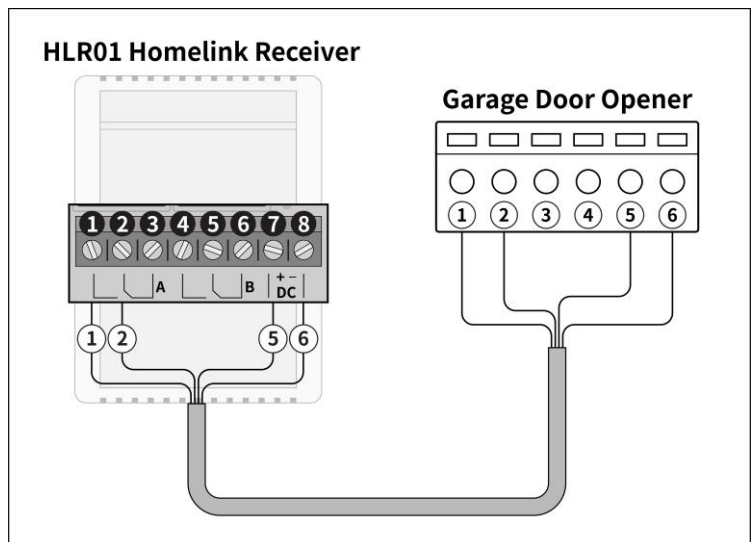
- ◆ A 4C x 0.3 mm<sup>2</sup> (22AWG) cable is required for the wire connection, but it is NOT included.
- ◆ Please see detailed password setting steps in TC175P user manual.

## HLR01 Homelink Remote Control Kit

Links the garage door opener with your car's Homelink system, allows for easy control of the door opener through the Homelink system.

### Wire Connection

- ◆ Turn off the power to the garage door opener before wire connection.
- ◆ Connect terminal ① to the garage door opener terminal ①.
- ◆ Connect terminal ② to the garage door opener terminal ②.
- ◆ Connect terminal ⑦ “+DC” to the garage door opener terminal ⑤.
- ◆ Connect terminal ⑧ “DC-” to the garage door opener terminal ⑥.



### NOTES:

- ◆ A 4C x 0.3 mm<sup>2</sup> (22AWG) cable is required for the wire connection, but it is NOT included.
- ◆ Please see detailed programming steps with Homelink system in HLR01 user manual.

# Connect the Accessories

## TRF3 Reflection Photocell Sensor

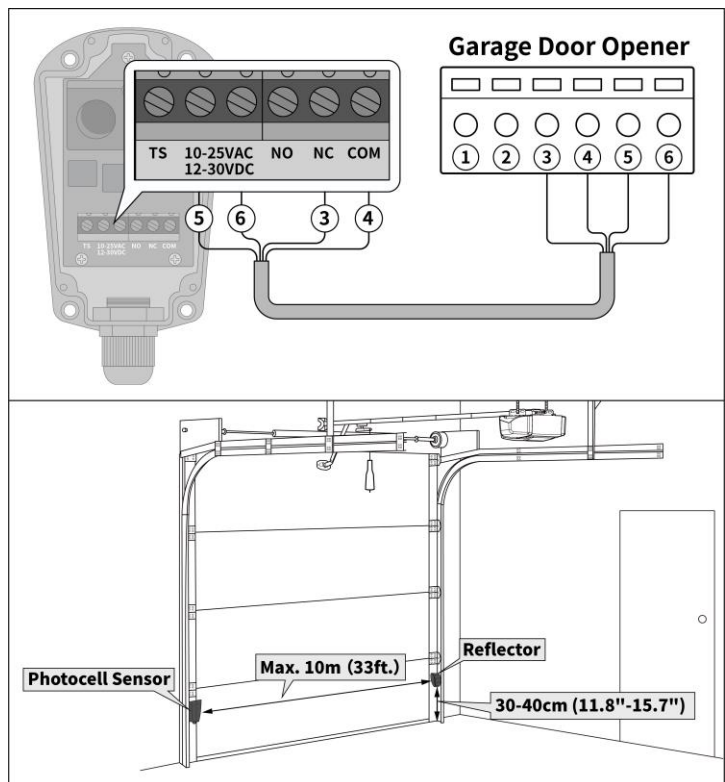
Prevents the garage door from closing when obstructed, adds security with simple wire connection

### Wire Connection

- ◆ Enable the photocell sensor function as instructed in the *Configure the Control Board Settings* section or the TOPENS Smart Garage Door Opener App User Manual of this manual.
- ◆ Turn off the power to the garage door opener before wire connection.
- ◆ Connect the “10-25VAC / 12-30VDC” terminals to the garage door opener terminal ⑤ and terminal ⑥, regardless of the polarity.
- ◆ Connect the “NC” terminal to the garage door opener terminal ③, connect the “COM” terminal to the door opener terminal ④.

### Key Installation Notes

- ◆ Mount the photocell sensor 30-40cm (11.8"-15.7") above the ground. For optimal safety, do not exceed a height of 40cm (15.7").
- ◆ Power on the garage door opener. Position the reflector directly opposite the mounted photocell sensor. The working light on the photocell sensor turning green indicates that the reflector is in the correct position.
- ◆ The maximum sensing range of the photocell sensor is 10m (33ft.).



#### NOTES:

- ◆ A 4C x 0.3 mm<sup>2</sup> (22AWG) cable is required for the wire connection, but it is NOT included.
- ◆ If a photocell sensor is not installed, ensure that the photocell sensor function is disabled. Otherwise, the garage door opener will be unable to close the door.

# Connect the Accessories

## TC102 Infrared Photocell Sensor

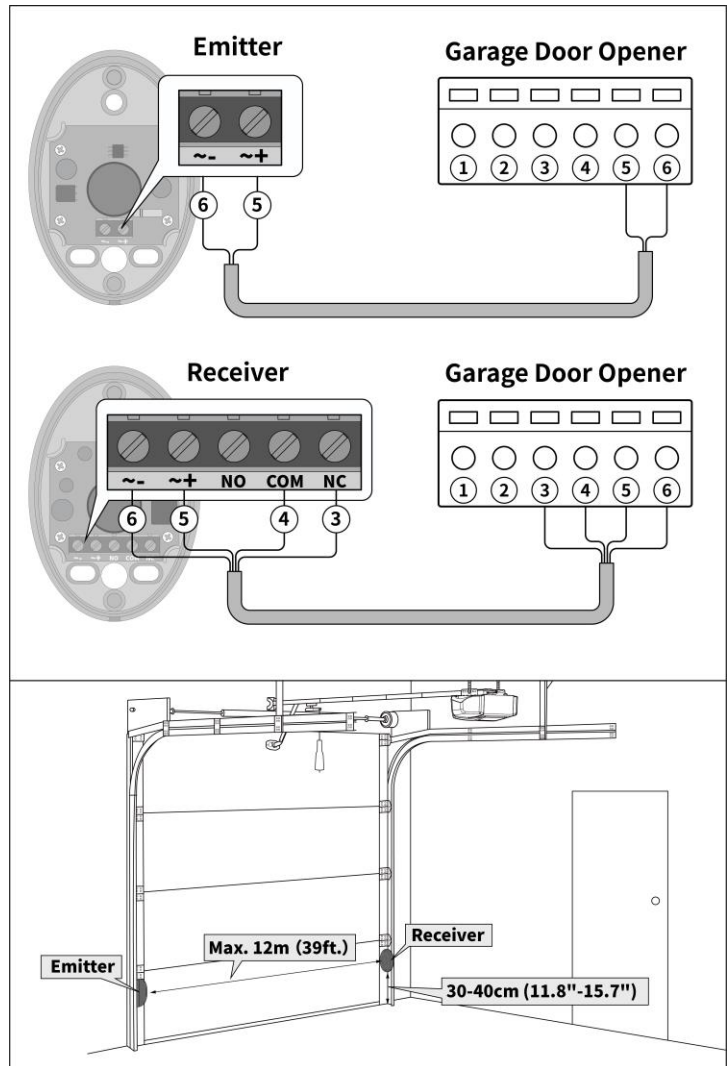
Prevents the garage door from closing when obstructed, adds security

### Wire Connection

- ◆ Enable the photocell sensor function as instructed in the *Configure the Control Board Settings* section or the TOPENS Smart Garage Door Opener App User Manual of this manual.
- ◆ Turn off the power to the garage door opener before wire connection.
- ◆ For the emitter, connect the “~ +” terminal to the garage door opener terminal ⑤, connect the “~ -” terminal to the door opener terminal ⑥.
- ◆ For the receiver, connect the “~ +” terminal to the garage door opener terminal ⑤, connect the “~ -” terminal to the door opener terminal ⑥. Connect the “NC” terminal to the door opener terminal ③, connect the “COM” terminal to the door opener terminal ④.

### Key Installation Notes

- ◆ Mount the photocell sensor 30-40cm (11.8"-15.7") above the ground. For optimal safety, do not exceed a height of 40cm (15.7").
- ◆ Ensure that both the emitter and receiver are aligned with each other. If precise manual alignment is difficult, use a visible laser beam for assistance.
- ◆ The maximum distance between the transmitter and receiver is 12m (39ft.). Exceeding this range may cause the photocell sensor to malfunction, resulting in improper operation of the garage door opener.
- ◆ Put the cables into PVC conduit and bury the conduit underground to prevent damage.



### NOTES:

- ◆ Connect the emitter to the garage door opener with a 2C x 0.3 mm<sup>2</sup> (22AWG) cable. Connect the receiver to the door opener with a 4C x 0.3 mm<sup>2</sup> (22AWG) cable. Cables are required but NOT included.
- ◆ If a photocell sensor is not installed, ensure that the photocell sensor function is disabled. Otherwise, the garage door opener will be unable to close the door.

# Connect the Accessories

## ERM12 External Receiver

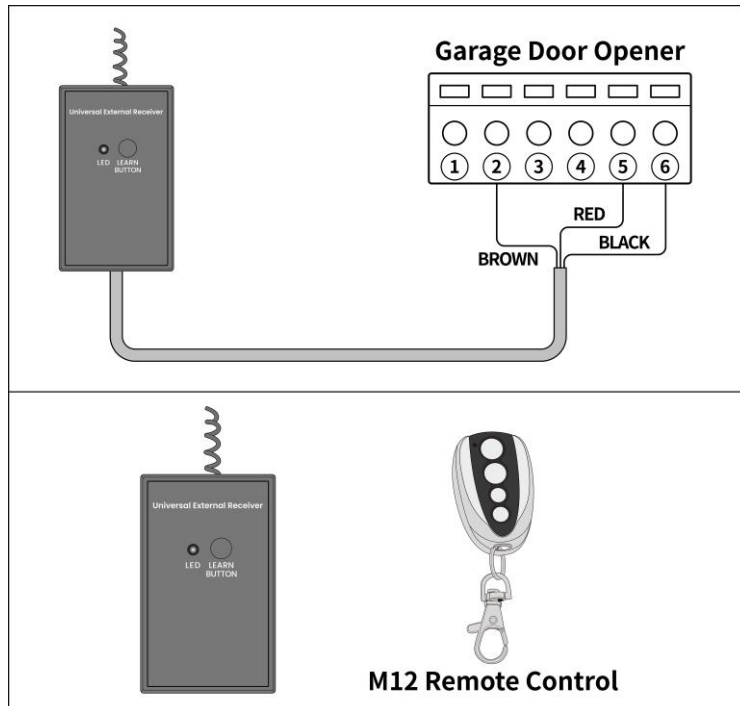
Allows up to 250 remotes to be programmed with the garage door opener

### Wire Connection

- ◆ Turn off the power to the garage door opener before wire connection.
- ◆ Connect the RED wire to the garage door opener terminal ⑤.
- ◆ Connect the BLACK wire to the garage door opener terminal ⑥.
- ◆ Connect the BROWN wire to the garage door opener terminal ②.

### Program the Remote Control with the Receiver

- ◆ Before programming, ensure the M12 remote control has been erased from the garage door opener to avoid conflicts.
- ◆ Press and release the LEARN BUTTON on the receiver, the LED light will turn ON. Press the remote control button you want to program once, then press it again after the LED on the remote turns off.
- ◆ The LED Light on the receiver will flash for 3 seconds and then turn OFF indicating successfully programming.

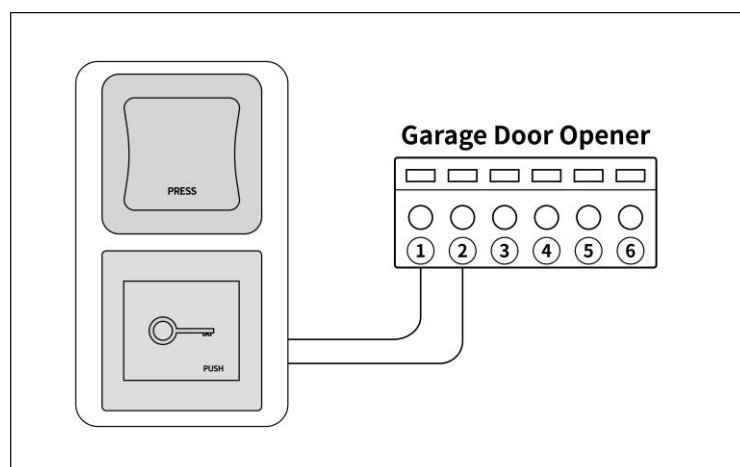


## TC148 Waterproof Wall Push Button & TC147 Wall Push Button

Open / close the garage door by pressing the wired button

### Wire Connection

- ◆ Turn off the power to the garage door opener before wire connection.
- ◆ Connect the push button to the garage door opener terminal ① and terminal ②, regardless of the polarity.
- ◆ Each press of the button will cycle the door through open, stop, close, stop, and open.



**NOTE: A 2C x 0.3 mm<sup>2</sup> (22AWG) cable is required for the wire connection, but it is NOT included.**

# Maintenance and Replacement Part

## Maintenance

### WARNING

*Disconnect all power (AC and battery) to the garage door opener before routine inspections and lubrication.*

### Routine Inspections

- ◆ **Inspect the Garage Door:** Manually open and close the door to confirm that it is in good mechanical condition, properly balanced, and operating smoothly without binding, sticking, or excessive noise. Inspect all springs, cables, pulleys, brackets, and related hardware for signs of wear, damage, or misalignment.
- ◆ **Check the Garage Door Opener:** Confirm that the garage door opener is securely mounted, and tighten any loose screws.
- ◆ **Examine Cables and Wires:** Check that all cables and wires are intact, without any cuts or frays. Ensure that the garage door opener is properly grounded and all wire connections are secure.
- ◆ **Battery Maintenance:** Regularly check for battery leakage and ensure that its casing is intact. Replace the battery every 2-3 years and recycle old batteries properly.

### Cleaning and Lubrication

Keep the garage door opener clean to prevent the accumulation of dirt, dust, and debris. Wipe the door opener with a clean, dry cloth, and lubricate moving parts as needed.

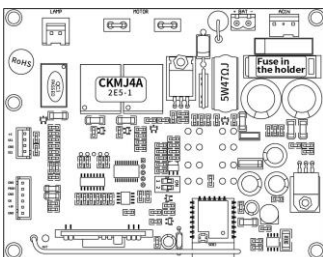
### Limit and Stall Force Adjustments

Verify that the garage door reaches both the open and close limits without reversing unnecessarily or causing frequent interruptions. Adjust the open and close limit positions and stall force settings as needed, and perform a safety reverse test after each adjustment.

### Safety Reverse Test

The garage door must stop or reverse upon contact with a solid object. Perform the safety reverse test monthly, or whenever the garage door opener is reset or after a power outage. Failure to properly adjust and retest the door opener can increase the risk of injury or death.

## Replacement Part

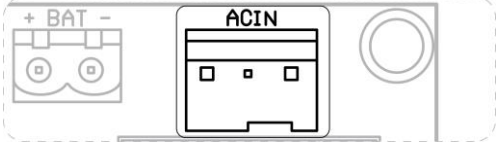
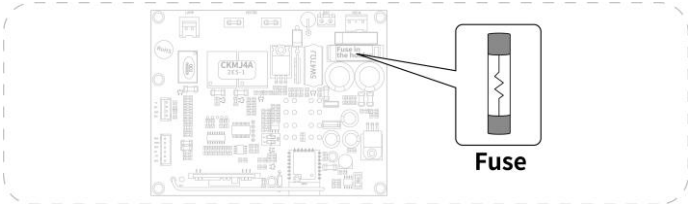
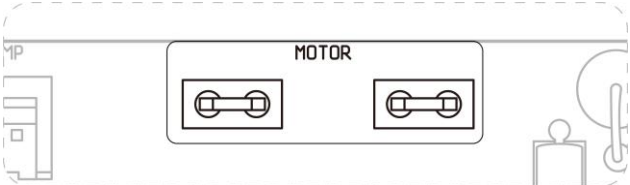


CKMJ4A Control Board

\* Available on the TOPENS website ([www.topens.com](http://www.topens.com)) and Amazon.

# Troubleshooting

If your garage door opener does not function properly after installation, please follow the steps below before contacting us for assistance. This guide provides common troubleshooting steps to help resolve issues efficiently. For further assistance, please feel free to contact us through our website at [www.topens.com](http://www.topens.com).

Symptom	Possible Solution(s)
<p>The garage door opener does not operate from either the door control or the remote control.</p>	<p><b>Step 1 Check Door Operation:</b> Pull the manual release handle to disconnect the trolley, then operate the door manually. Ensure that all locks are fully disengaged, the door springs are intact, and the door is not frozen or stuck. If the door is unbalanced or binding, contact a qualified technician for repair.</p> <p><b>Step 2 Check Power Supply:</b> Verify that the digital display on the garage door opener is lit. If not, check the electrical outlet for power.</p> <p><b>Step 3 Check Input and Output Voltage:</b> Disassemble the casing to measure the transformer's input voltage; it should match the local AC power supply. Then, measure the transformer's output voltage at the ACIN terminal on the control board; it should be 24VAC. If the input is correct but the output is abnormal, the transformer may be faulty.</p>  <p><b>Step 4 Examine Control Board Fuse:</b> Inspect the fuse on the control board. If it is burnt out, replace it with the backup fuse. Use only a <math>\varnothing</math> 5*20mm 10A 250VAC fast blow glass fuse.</p>  <p><b>Step 5 Isolate Accessories:</b> Disconnect all wired accessories from the control board and disable the photocell sensor function. Test the door operation. If the issue is resolved, reconnect the accessories one by one to identify the problem. If the issue persists, erase all existing remote codes from the control board and reprogram them. If the problem still remains, momentarily short the push button terminals on the garage door opener using a small piece of wire to test the operation again.</p> <p><b>Step 6 Reset the Limits:</b> Reset the open and close limit positions as instructed in the <i>Configure the Control Board Settings</i> section.</p> <p><b>Step 7 Test the Motor:</b> Unplug the power cord and connect the motor wires (MOTOR terminals on the control board) directly to a 24VDC power supply for testing. If the motor fails to run, it may be faulty.</p>  <p><b>Step 8 Check Control Board:</b> Inspect the control board and replace it if needed.</p>

# Troubleshooting

Symptom	Possible Solution(s)
<p>The garage door opener operates from the remote control but not from the door control.</p>	<p><b>Step 1 Check Compatibility and Wire Connection:</b> Ensure that the door control is compatible with the garage door opener and that all wires are securely connected, properly installed, and not shorted under staples.</p> <p><b>Step 2 Check Control Board:</b> Remove the door control wires from the push button terminals. Momentarily short the terminals using a small piece of wire. If the garage door opener does not run, replace the control board.</p>
<p>The garage door opener operates from the door control but not from the remote control.</p>	<p><b>Step 1 Check Remote Control Battery:</b> Press the remote button and confirm the indicator LED lights up. If not, check battery polarity (positive side facing upward). If the polarity is correct, replace the batteries with two 3V CR2025 lithium button cells.</p> <p><b>Step 2 Check Remote Control Programming:</b> Ensure that the remote control is programmed correctly. Refer to the <i>Program the Remote Control</i> section or the TOPENS Smart Garage Door Opener App User Manual of this manual if reprogramming is required.</p> <p><b>Step 3 Check Remote Control Range:</b> The maximum effective range is approximately 20 meters (65 feet). Operate the remote closer to the garage door opener if needed. (<i>Note: Metal doors, foil-backed insulation, or metal siding may reduce range.</i>)</p> <p><b>Step 4 Replace the Remote Control:</b> Test with another remote control. If it works, replace the faulty one.</p>
<p>The garage door opener does not reverse when it encounters an obstruction.</p>	<p><b>Step 1 Check the Door Type:</b> If the door is easily deformed, it may become crooked when it contacts an object and fail to reverse. In this case, it is strongly recommended to install a photocell sensor for added protection.</p> <p><b>Step 2 Adjust the Stall Force:</b> If the door is distortion-free, verify that it makes firm contact with the obstruction. Reduce the close stall force and perform the safety reverse test after adjustment.</p>
<p>The garage door reverses for no apparent reason.</p>	<p><b>Step 1 Check Door Operation:</b> Pull the manual release handle to disconnect the trolley, then operate the door manually. Ensure that the door moves freely without obstruction. Clear any ice or snow from the area. If the door is unbalanced or binding, contact a qualified technician for repair.</p> <p><b>Step 2 Verify Photocell Sensor Function:</b> Inspect the Safety Photocell Beam (SPB) system if a photocell sensor is installed. Check whether the photocell sensor is blocked or misaligned. Reconnect the terminals, clear any obstructions, and realign the photocell sensor if needed.</p> <p><b>Step 3 Reset the Limits:</b> Reset the open and close limit positions as instructed in the <i>Configure the Control Board Settings</i> section.</p> <p><b>Step 4 Adjust the Stall Force:</b> Ensure that the open and close stall force are appropriate and not too low. Increase the close stall force and perform the safety reverse test after adjustment.</p>

# Troubleshooting

Symptom	Possible Solution(s)
The garage door opens and closes by itself.	<p><b>Step 1 Isolate Wired Accessories:</b> Disconnect all wired accessories from the control board and disable the photocell sensor function. Test the door operation. If the issue is resolved, reconnect the accessories one by one to identify the problem.</p> <p><b>Step 2 Reprogram Remote Controls:</b> Erase all existing remote codes from the control board and reprogram them.</p> <p><b>Step 3 Check Control Board:</b> Inspect the control board and replace it if needed.</p>
The garage door stops before fully closing.	<p><b>Step 1 Reset the Limits:</b> Reset the open and close limit positions as instructed in the <i>Configure the Control Board Settings</i> section.</p> <p><b>Step 2 Adjust the Stall Force:</b> Ensure that the open and close stall force are appropriate and not too low. Increase the close stall force and perform the safety reverse test after adjustment.</p>
The garage door opens but will not close.	<p><b>Step 1 Check SPB System Setting:</b> If no photocell sensor is installed, confirm that the photocell sensor function is disabled.</p> <p><b>Step 2 Verify Photocell Sensor Function:</b> Inspect the SPB system if a photocell sensor is installed. Check whether the photocell sensor is blocked or misaligned. Reconnect the terminals, clear any obstructions, and realign the photocell sensor if needed.</p> <p><b>Step 3 Reset the Limits:</b> Reset the open and close limit positions as instructed in the <i>Configure the Control Board Settings</i> section.</p> <p><b>Step 4 Adjust the Stall Force:</b> Ensure that the open and close stall force are appropriate and not too low. Adjust the stall force and perform the safety reverse test after adjustment.</p> <p><b>Step 5 Check Control Board:</b> Inspect the control board and replace it if needed.</p>
The garage door opener LED bulb does not turn on.	<p><b>Step 1 Check LED Bulb:</b> Replace the LED bulb with an E26 9W 120V screw-type bulb.</p>
The garage door opener strains.	<p><b>Step 1 Check Door Operation:</b> Pull the manual release handle to disconnect the trolley, then operate the door manually. If the door is unbalanced or the springs are broken, contact a qualified technician for repair.</p>
The garage door opener hums briefly but will not run.	<p><b>Step 1 Check Door Operation:</b> Pull the manual release handle to disconnect the trolley, then operate the door manually. Ensure that all locks are fully disengaged and the door springs are intact. If the door is unbalanced or the springs are broken, contact a qualified technician for repair.</p>
The garage door opener will not operate during a power outage.	<p><b>Step 1 Operate Manually:</b> Pull the manual release handle to disconnect the trolley, then open and close the door manually.</p> <p><b>Step 2 Use Backup Battery:</b> Install backup batteries to provide emergency power.</p> <p><b>Step 3 Use Emergency Release Kit:</b> If an outside quick-release accessory is installed, use it to disconnect the trolley from outside the garage.</p> <p><b>Step 4 Reconnect Trolley After Power Restoration:</b> Reconnect the trolley once power is restored to resume remote operation.</p>

# TOPENS Smart Garage Door Opener App User Manual



**Download “TOPENS” via App Store or Google Play**

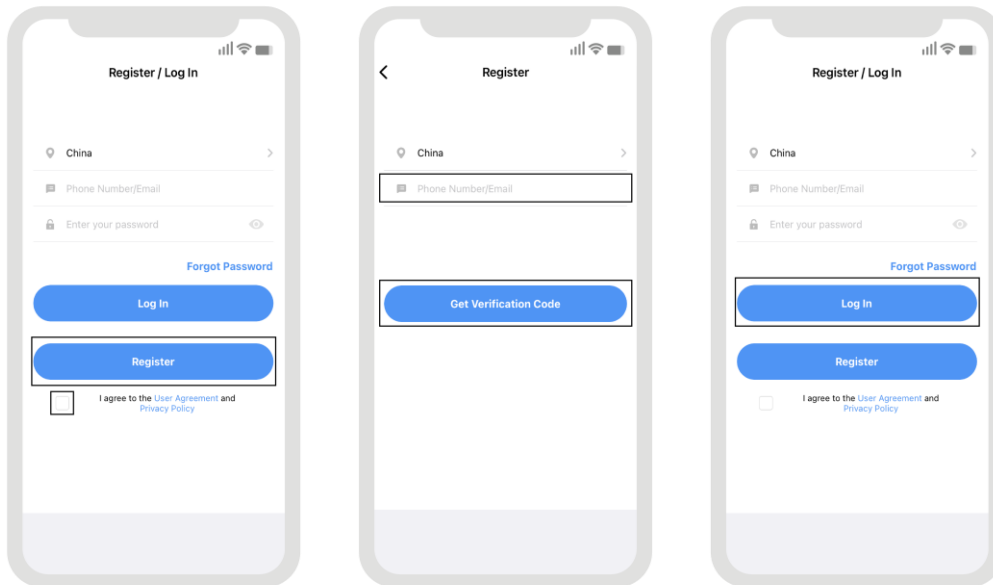
*NOTE: THE TOPENS APP ONLY SUPPORTS SMARTPHONES.*

# PART 1

## Add the Garage Door Opener to the App

### Register a User Account

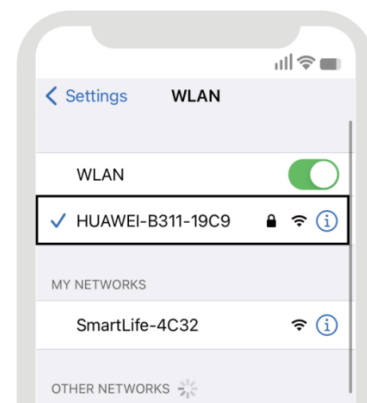
- ◆ Open the app and tick the checkbox labeled “I agree to the User Agreement and Privacy Policy” and then tap “Register” to create a user account.
- ◆ Enter your phone number or email address, then tap “Get Verification Code” . Check your phone or email for the code, enter it in the app, and set your account password. Registration is now complete.
- ◆ Finally, enter your phone number or email address along with the password you set, then tap “Log In” to access the app successfully.



**NOTE:** Ensure that location access permission is enabled on your device. The app will automatically detect the country code from your phone's SIM card, so you do not need to enter the country code during registration.

### Preparation Before Adding to the App

- ◆ Ensure that a Wi-Fi network is available for both your phone and the garage door opener. Make sure your phone is already connected to the Wi-Fi network before starting the configuration.
- ◆ Power on the garage door opener and the digital display will display “L” .



#### NOTES:

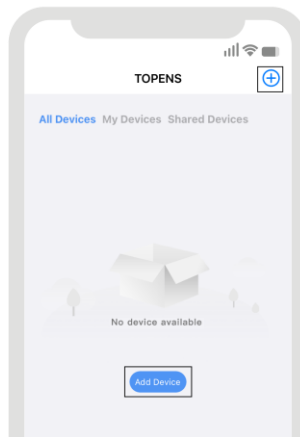
- Please ensure that your Wi-Fi is set to 2.4GHz mode, as 5GHz is not supported.
- If there is no Wi-Fi signal or the signal is weak near the garage door opener, move your router closer to the door opener to reduce interference from walls and other objects, or consider using a Wi-Fi range extender.

# PART 1

## Add the Garage Door Opener to the App

### Add the Garage Door Opener Via Bluetooth and Hotspot

Open the app and tap “+” or “Add Device” to add a new garage door opener. You can configure the door opener to your Wi-Fi network using either Bluetooth or hotspot connection.



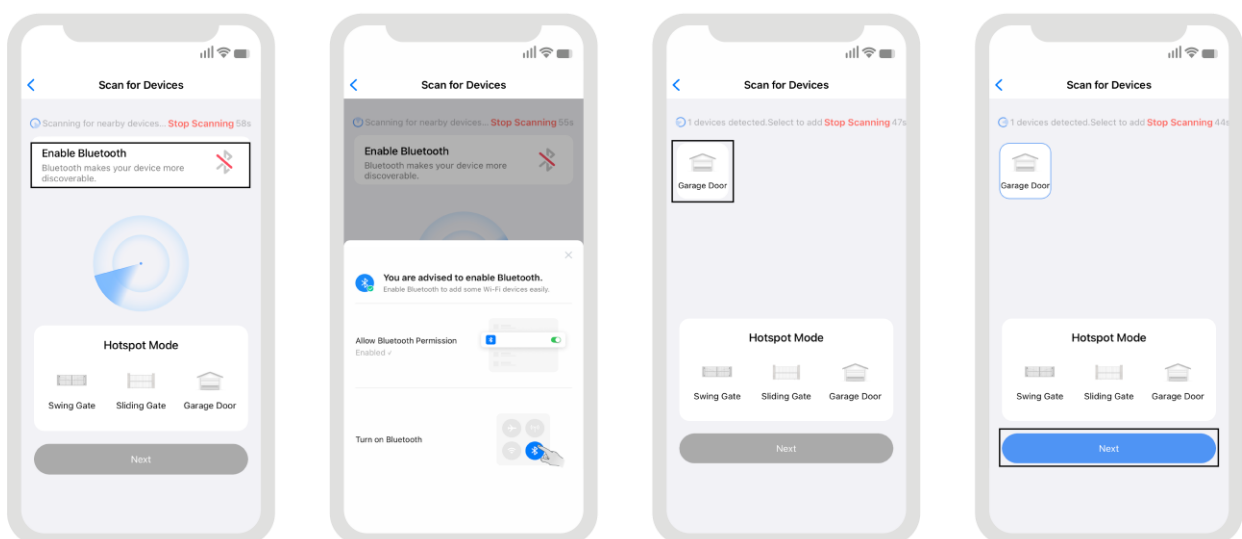
**NOTE:** If the device has been paired with another phone and you wish to re-pair it, press and hold the “Up” button on the garage door opener until the digital display flashes “F”. This will enable the device to enter network configuration mode.

### ADD THE GARAGE DOOR OPENER TO THE APP VIA BLUETOOTH

Only the user who binds the garage door opener through Bluetooth can still control the door opener via Bluetooth if the Wi-Fi connection is lost. Other users who are shared cannot control the door opener through Bluetooth. Additionally, adding the device through other modes does not provide this function.

**STEP 1:** Please enable Bluetooth permission and ensure that Bluetooth is turned on.

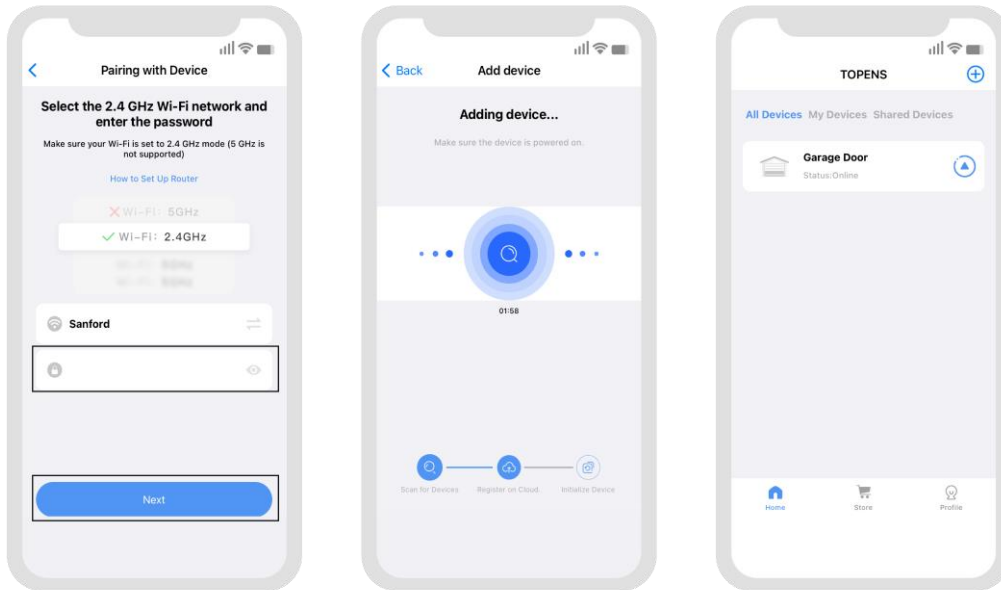
**STEP 2:** The app will automatically detect the garage door opener. Select the garage door opener you want to add and tap “Next” .



# PART 1

## Add the Garage Door Opener to the App

**STEP 3:** Enter the Wi-Fi name and password, then tap “Next”. The app will begin adding the device, please wait for a moment. Once the garage door opener is successfully added, it will appear in the main screen.

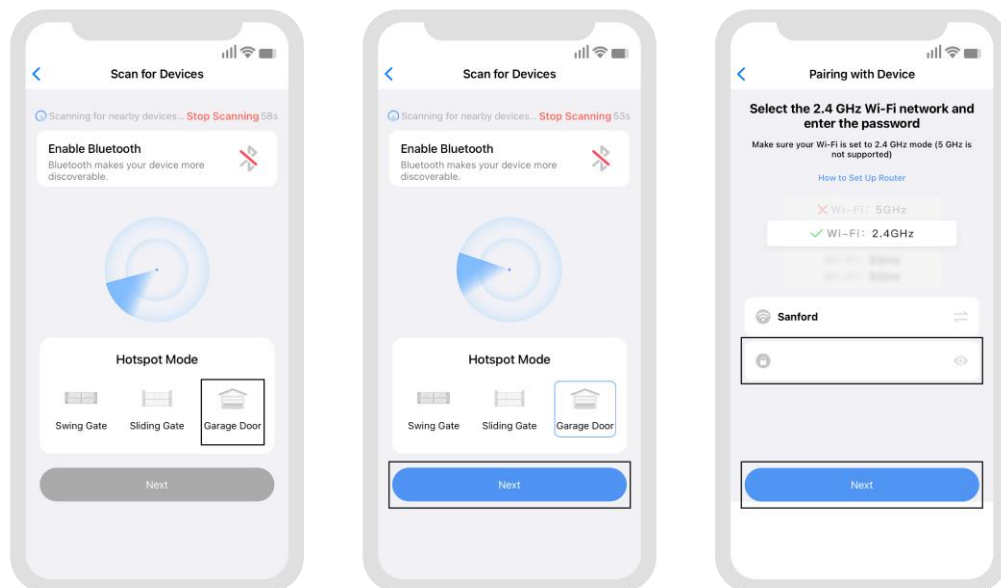


**NOTE:** Please ensure that your Wi-Fi is set to 2.4GHz mode, as 5GHz is not supported.

### ADD THE GARAGE DOOR OPENER TO THE APP VIA HOTSPOT

**STEP 1:** Select “Garage Door” under Hotspot Mode and tap “Next”. Ignore the notification that reminds you to turn on Bluetooth and proceed with the following steps.

**STEP 2:** Input your Wi-Fi network name & password in the provided fields and tap “Next” .



**NOTE:** Please ensure that your Wi-Fi is set to 2.4GHz mode, as 5GHz is not supported.

# PART 1

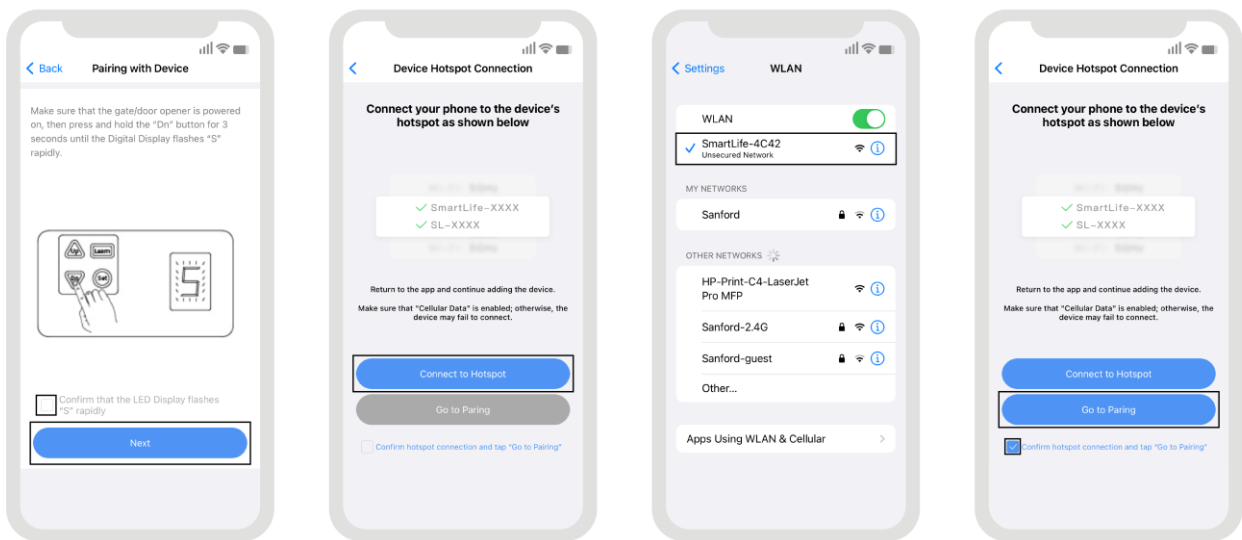
## Add the Garage Door Opener to the App

**STEP 3:** Ensure that the garage door opener is powered on. Press and hold the “Dn” button on the door opener for 3 seconds until the digital display flashes “S” rapidly, indicating that hotspot mode is being activated.

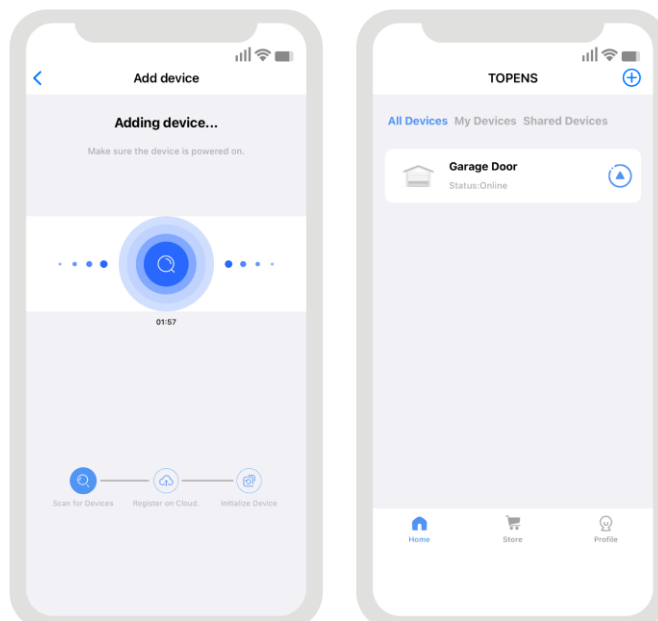
**STEP 4:** Tick the checkbox labeled “Confirm that the LED Display flashes ‘S’ rapidly” on the app screen and then tap “Next” .

**STEP 5:** Tap “Connect to Hotspot” in the app. This will redirect you to the WLAN network connection screen. Locate the WLAN network named “SmartLife-XXXX” or “SL-XXXX” . Select the network and connect to it.

**STEP 6:** After connecting to the “SmartLife-XXXX” or “SL-XXXX” WLAN network, return to the app. Tick the checkbox labeled “Confirm hotspot connection and tap “Go to Pairing” ” , and then tap “Go to Pairing” .

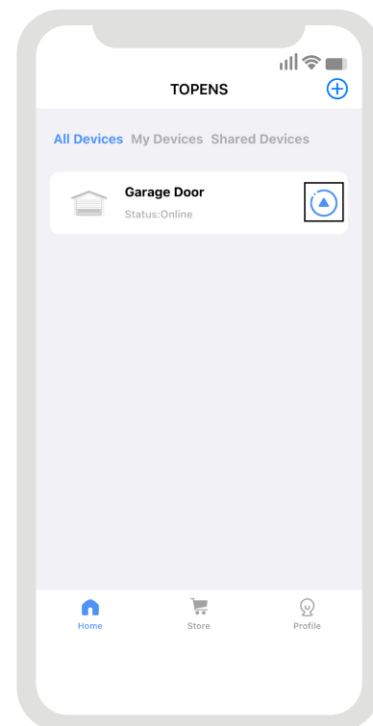


**STEP 7:** The app will start adding the garage door opener to your account. Please wait for the process to complete. Once the garage door opener is successfully added, it will appear on the main screen of the app.



### Home Screen

- ◆ Open the app, and you can view all the added devices including shared devices on the Home screen.
- ◆ On the right side of the device icon, there is a hotkey that allows you to control the garage door opener. Each press of the hotkey will cycle the door through open, stop, close, stop, and open.
- ◆ Tap “+” to add other garage door openers. In this screen, “My Devices” refers to the devices added by the users, and “Shared Devices” refers to the devices shared by other users.
- ◆ Tap on the garage door opener you have added, you will be directed to the main control screen of the garage door opener.



### Store Screen

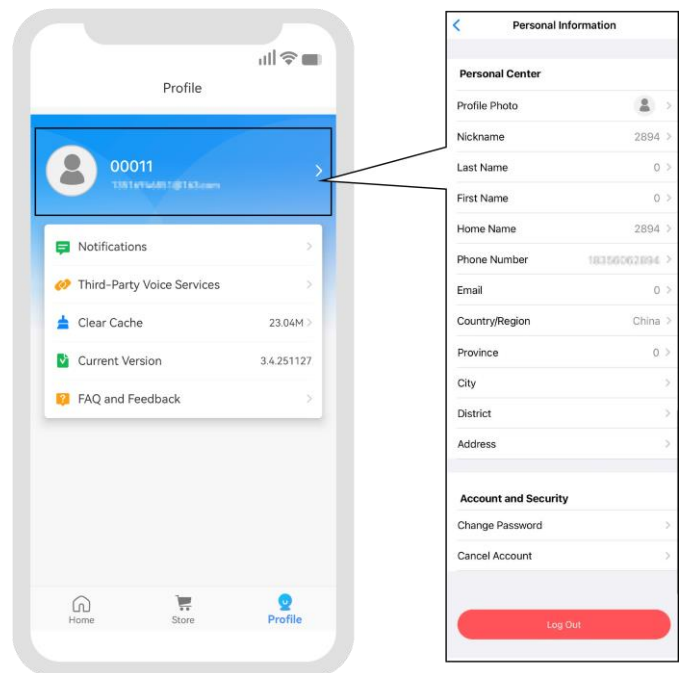
- ◆ Tap “Store” at the bottom, and you will be redirected to TOPENS’ s official website ([www.topens.com](http://www.topens.com)).

### Profile Screen

- ◆ Tap “Profile” at the bottom, and you will be directed to the profile main screen.

#### Personal Information Screen

- ◆ Tap the arrow at the top to enter the personal information screen.
- ◆ In this screen, you can modify your personal information, such as profile photo, nickname, contact information, address and more.
- ◆ You can also modify the password and log out of the current account from this screen.

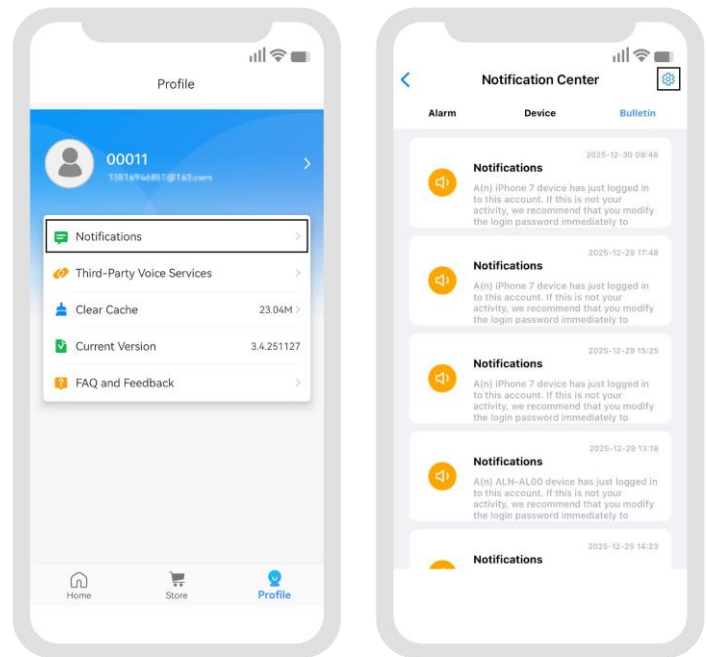


## PART 2

## Main Screen Introduction

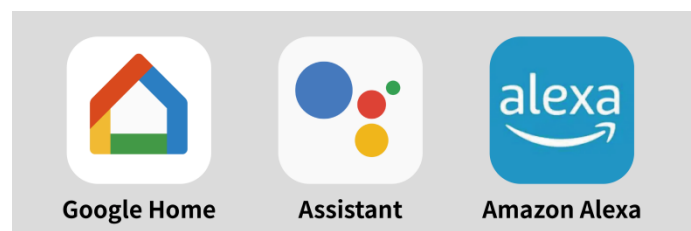
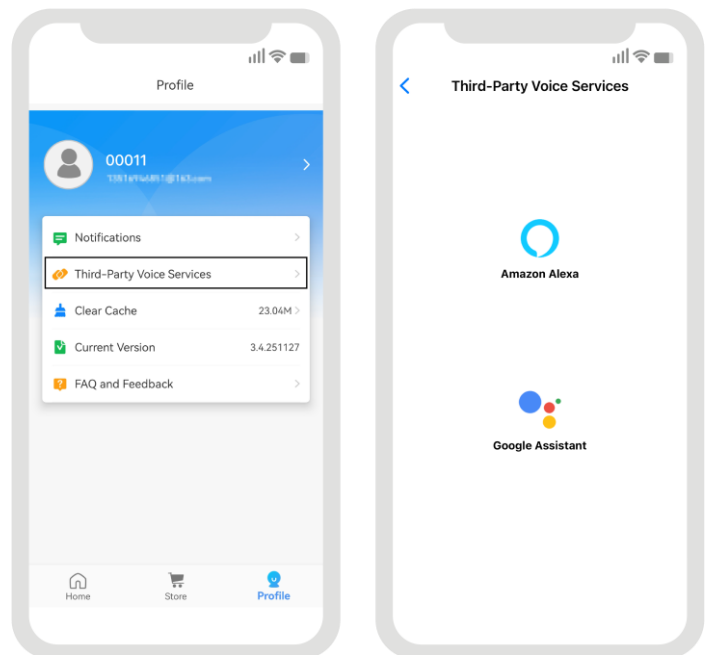
### Notification Center

- ◆ Tap “Notifications” and the app will navigate to the Notification Center.
- ◆ The Notification Center logs the alarms, device updates, and bulletins.
- ◆ Tap the icon in the upper right corner to enable or disable notifications.



### Third-Party Voice Services

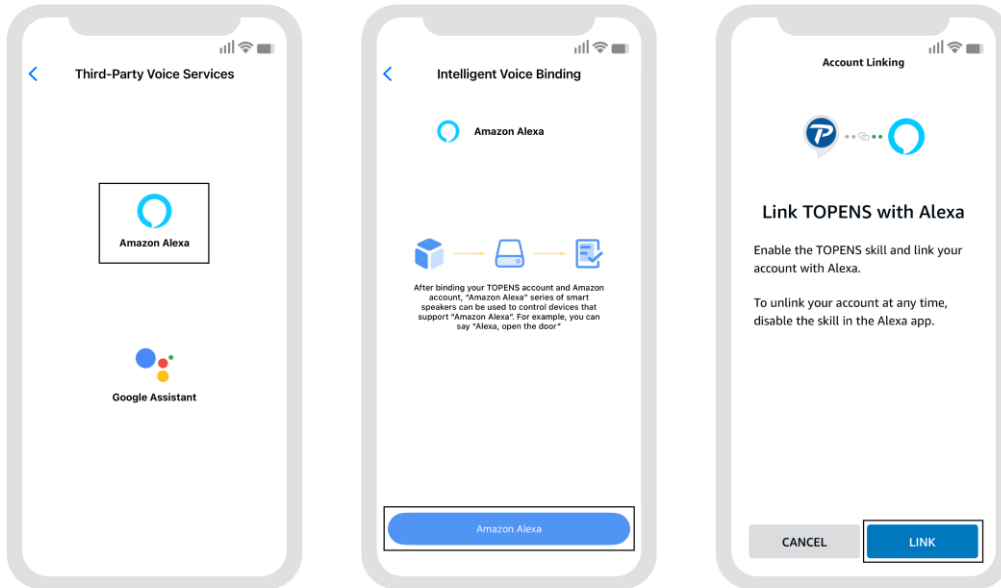
- ◆ Tap “Third-Party Voice Services” and select either “Amazon Alexa” or “Google Assistant” to bind the service to your account.
- ◆ After binding, you can control the garage door opener using voice commands.



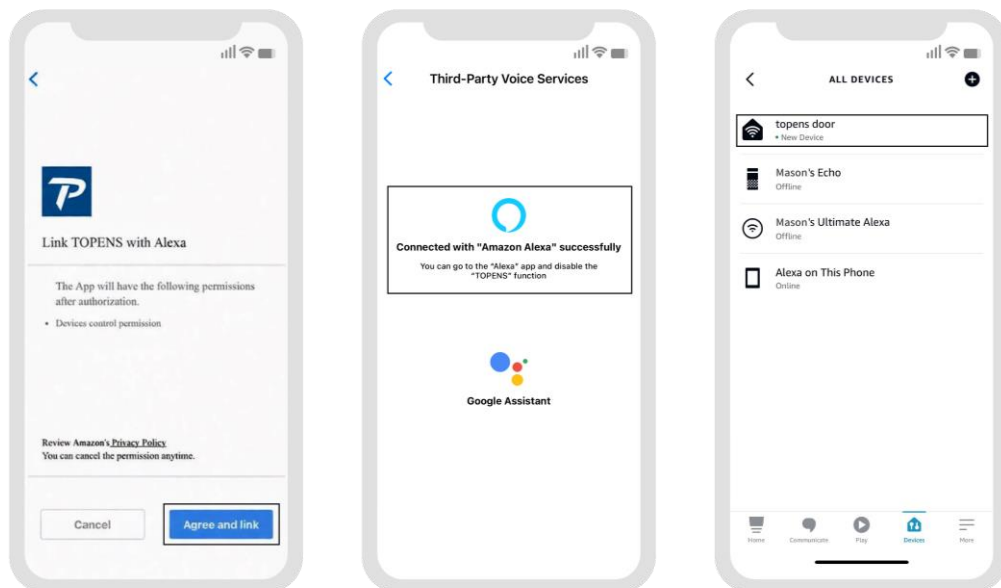
**NOTE:** If you are using ALEXA for binding, make sure you have downloaded the “Amazon Alexa” app. If you are using Google Assistant for binding, ensure you have downloaded the “Google Home” and “Google Assistant” apps. Additionally, make sure you have registered and logged into your account on the relevant app.

## BIND WITH AMAZON ALEXA

- ◆ Tap the “Amazon Alexa” icon and then tap “Amazon Alexa” . A confirmation window will appear and tap “LINK” .



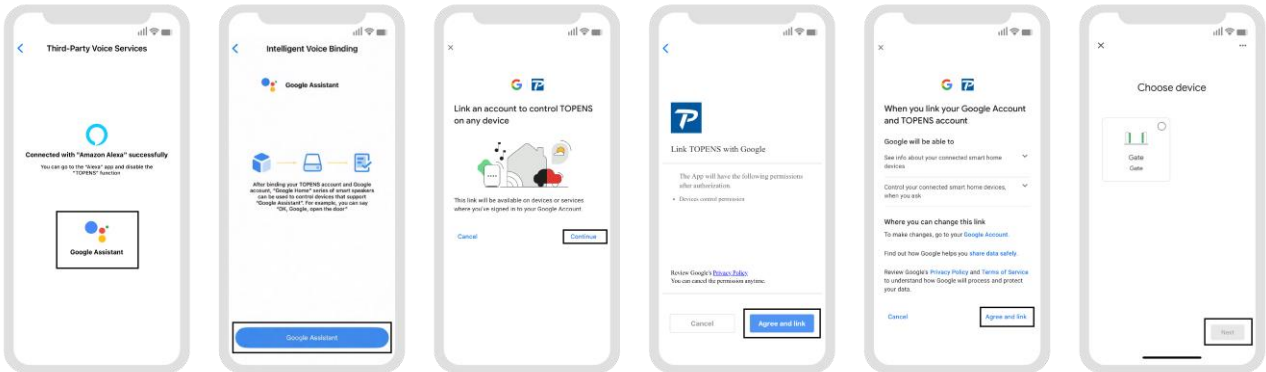
- ◆ Tap “Agree and link” . The app will show that you have successfully connected with “Amazon Alexa” . Open the “Amazon Alexa” app, and you will find the garage door opener in the Devices screen.



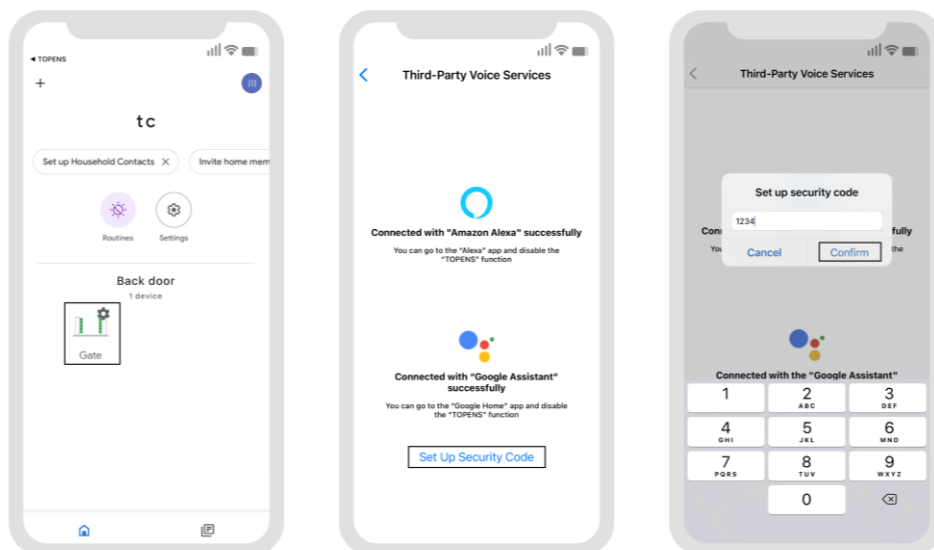
- ◆ Then, you can use the Amazon Alexa to control the garage door opener.
- ◆ The following are voice commands to control the garage door opener.
  - Open the garage door opener: Open “the name of the device” / “The name of the device” open / Set “the name of the device” to open
  - Close the garage door opener: Close “the name of the device” / “The name of the device” close / Set “the name of the device” to close
  - Stop the garage door opener: Set “the name of the device” to pause
  - Turn on the LED bulbs: Set the garage light on
  - Turn off the LED bulbs: Set the garage light off
  - Check the status of the garage door opener: Is “the name of the device” open? / Is “the name of the device” close? / What’ s the state of “the name of the device” ?

### BIND WITH GOOGLE ASSISTANT

- ◆ Tap the “Google Assistant” icon and then tap “Google Assistant” . The app will redirect you to the “Google Home” app.
- ◆ A pop-up window will appear to confirm the connection. Please tap “Agree and link” , choose the device you want to connect, then tap “Next” .



- ◆ After the connection is successful, the connected device will appear on the home page. Return to TOPENS app, where it will display “Connected with ‘Google Assistant’ successfully” . Tap “Set Up Security Code” to create a security code and then tap “Confirm” . When using Google Assistant to control the garage door opener to open, you must say the correct security code to successfully open the garage door.



- ◆ The following are voice commands to control the garage door opener.  
 Open the garage door opener: Open “the name of the device”  
 Close the garage door opener: Close “the name of the device”  
 Stop the garage door opener: Set “the name of the device” to pause  
 Turn on the LED bulbs: Turn on “the name of the device”  
 Turn off the LED bulbs: Turn off “the name of the device”  
 Check the status of the garage door opener: Is “the name of the device” open? / Is “the name of the device” closed?

**NOTE:** The Google Home app may be updated periodically, and the binding steps may change over time. Please following the instructions in Google Home app.

### Clear Cache

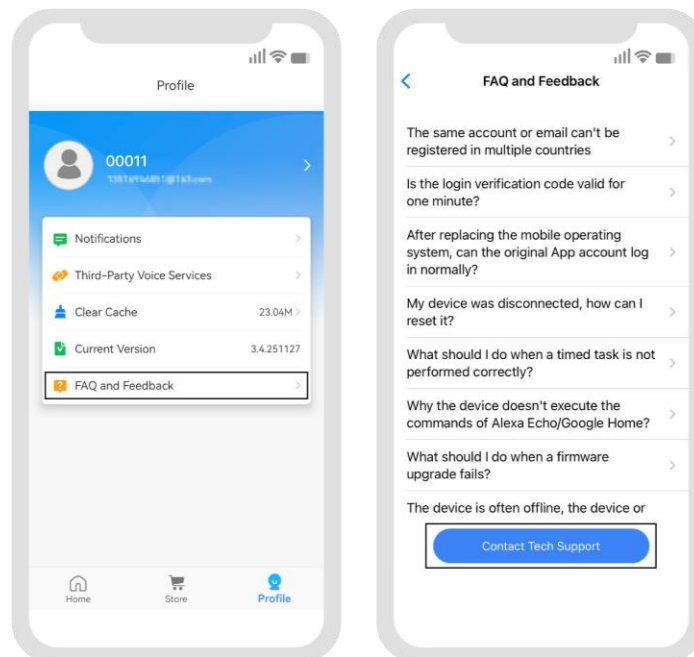
- ◆ Tap “Clear Cache” to remove stored cache data.

### Current Version

- ◆ Display current version information.

### FAQ and Feedback

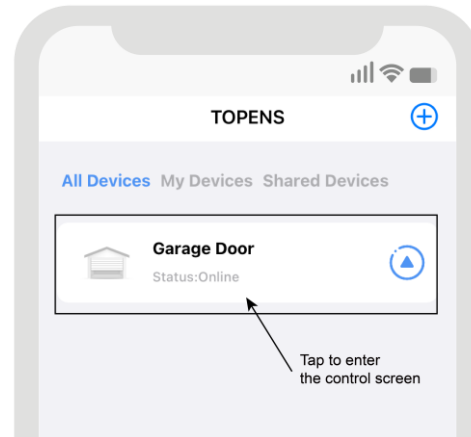
- ◆ Tap “FAQ and Feedback” to access a list of common questions and answers. For additional assistance, tap “Contact Tech Support” to reach technical support.



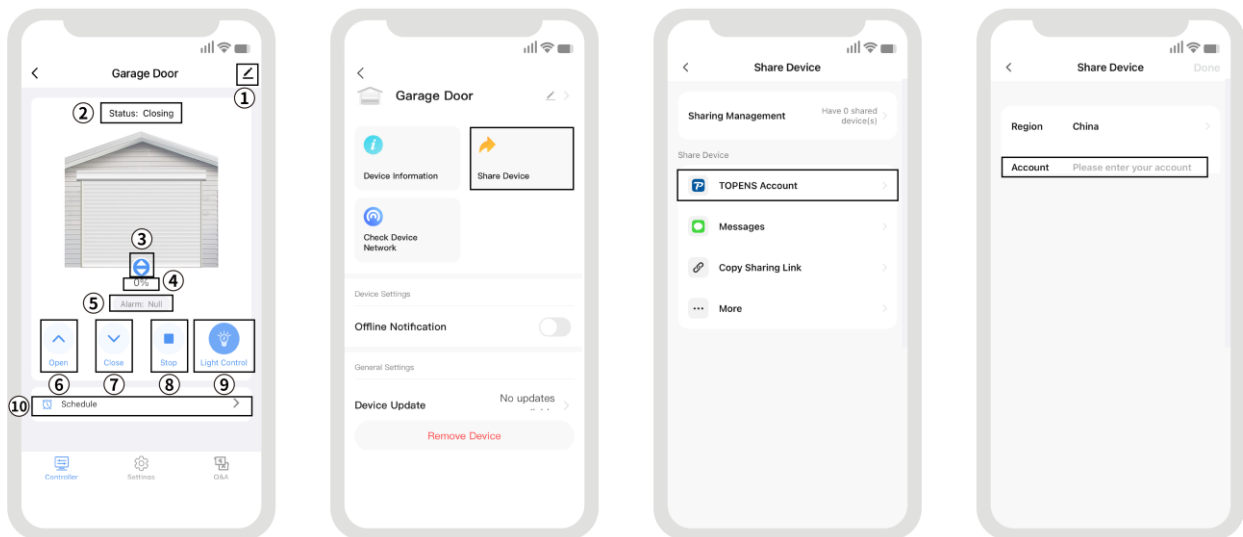
## PART 3

# Control and Set the Garage Door Opener

Open the app and tap the garage door opener you have added. It will direct to the main control screen of the garage door opener. At the bottom of the screen, you will see three icons labeled Controller, Settings, and Q&A.



## Basic Functions of the Controller Screen



① Change Device Name and Icon, Check Device Information, Share Device, Check Device Network, Set Offline Notification, Device Update and Remove Device.

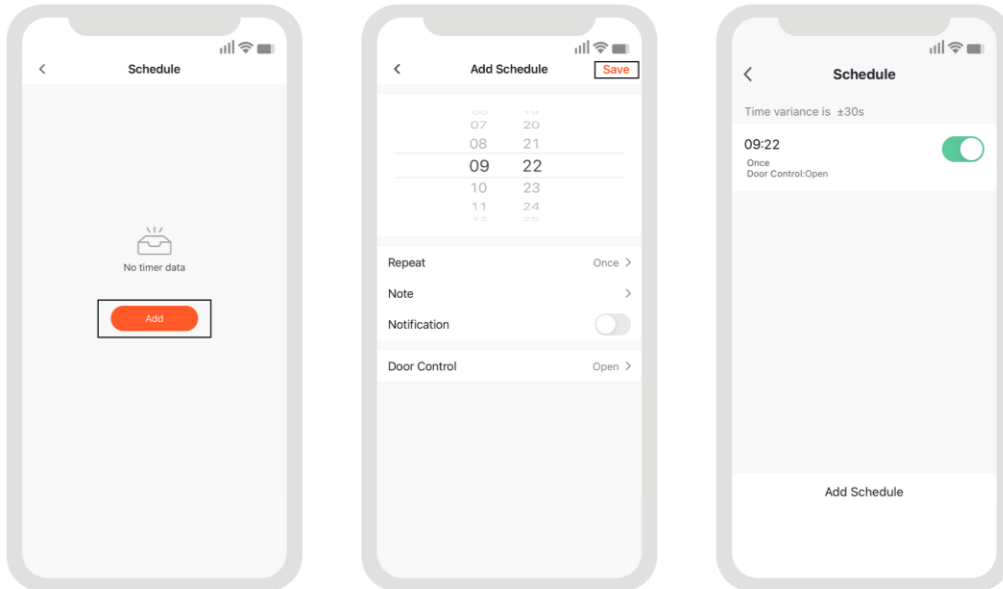
**NOTE:** To share device with another user, the shared user must download the TOPENS app and register a user account before being shared.

- ② Display the current status of the garage door opener.
- ③ To operate the garage door opener, press and hold the arrow and drag upward to open the garage door, or drag downward to close it.
- ④ Display the current position of the garage door as percentage. 100% means the garage door is fully open, and 0% means it is fully closed.
- ⑤ Display the alarm status of the garage door opener.
- ⑥ Press the “Open” button to open the garage door.
- ⑦ Press the “Close” button to close the garage door.
- ⑧ Press the “Stop” button to stop the garage door.
- ⑨ Press the “Light Control” button to turn the garage door opener’s LED bulbs on or off.

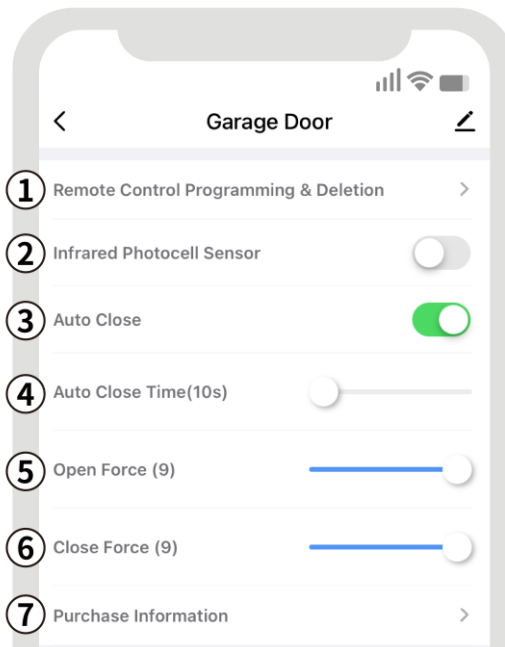
## PART 3

# Control and Set the Garage Door Opener

⑩ Tap to access the schedule configuration page. Tap “Add” to set the schedule parameters, and then tap “Save”. The schedule will appear in the list, where you can quickly enable or disable it as needed.



## Settings of the Garage Door Opener



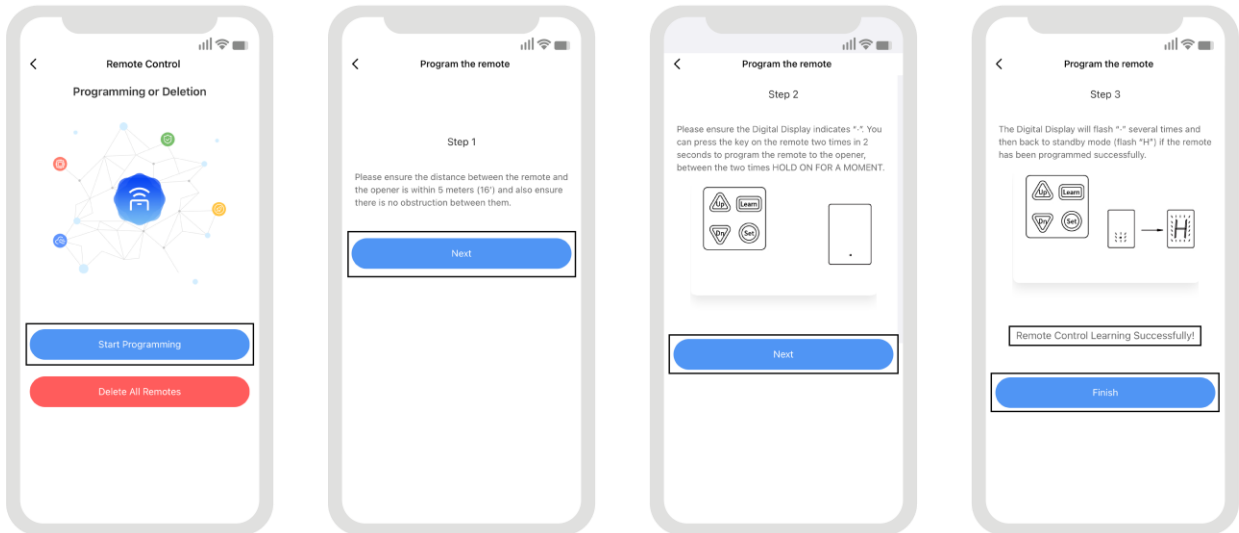
# PART 3

## Control and Set the Garage Door Opener

### ① Remote Control Programming & Deletion

#### Remote Programming

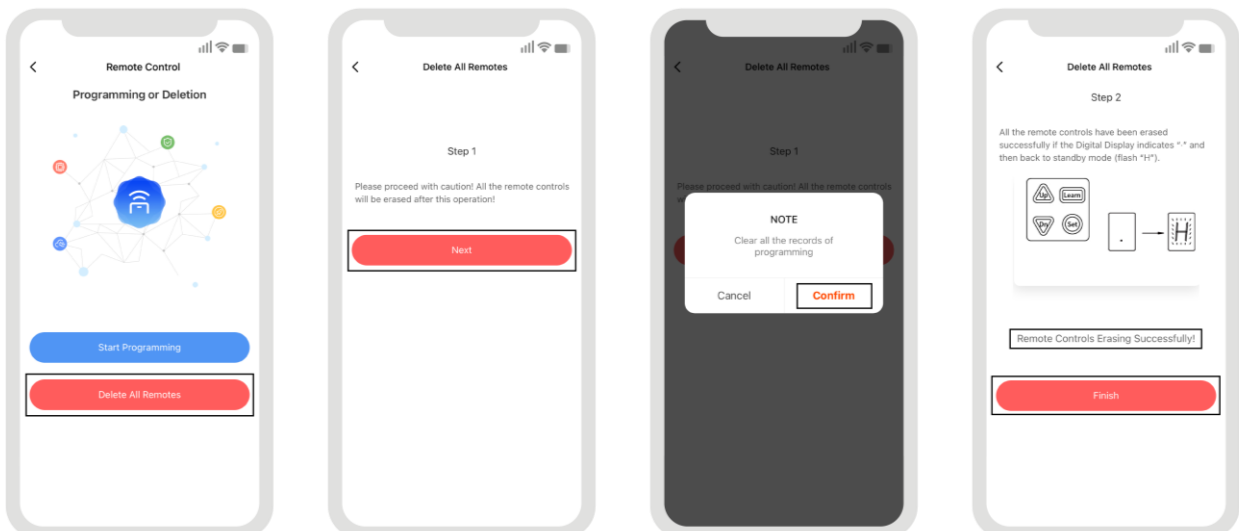
- ◆ **STEP 1:** Tap “Remote Control Programming & Deletion”, then Tap “Start Programming”. Ensure that the distance between the remote control and the garage door opener is within 5m (16ft.) and there are no obstructions between them. Once ready, tap “Next” to proceed.
- ◆ **STEP 2:** Ensure the digital display of the garage door opener shows “.”, indicating that the door opener is now in programming mode. Then tap “Next”.
- ◆ **STEP 3:** Press the remote control button you want to program once, then press it again after the LED on the remote turns off. The digital display will flash “.” and then back to standby mode (flash “H”), indicating successful programming. The app will display “Remote Control Learning Successfully!” and you can tap “Finish” to complete the programming.



**NOTE:** Please ensure that the remote is pressed after you have taped “Next” in STEP 2.

#### Delete All the Remotes

- ◆ **STEP 1:** Tap “Delete All Remotes”.
- ◆ **STEP 2:** Tap “Next”, then confirm the operation again.
- ◆ **STEP 3:** All the remote controls have been erased successfully if the digital display flashes “.” and then back to standby mode (flash “H”). The app will display “Remote Controls Erasing Successfully!” and you can tap “Finish” to complete the deletion.



## PART 3

# Control and Set the Garage Door Opener

### ② Enable/Disable Infrared Photocell Sensor

When the photocell sensor function is enabled, the garage door will automatically reverse to the fully open position if the photo beam is obstructed.

### ③ Enable/Disable Auto Close

The auto close function allows the garage door to close automatically after a set period.

### ④ Set Auto Close Time

Slide the button to set the auto close time. After enabling the “Auto Close” function, you can adjust the auto close time from 10 to 90 seconds in 10-second increments.

### ⑤ Set Open Force

Slide the button to set the open stall force. “1” represents the minimum force, while “9” represents the maximum force.

### ⑥ Set Close Force

Slide the button to set the close stall force. “1” represents the minimum force, while “9” represents the maximum force.

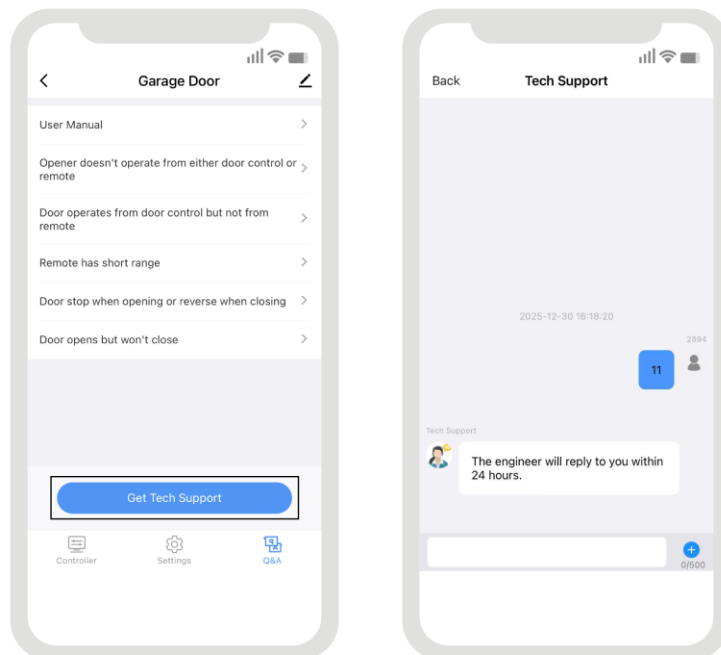
### ⑦ Purchase Information

It is recommended to fill in the purchase information if you need technical support.

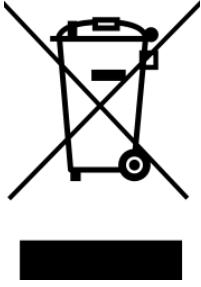
## Q&A Screen

Tap “Q&A” to download the user manual and find troubleshooting for common issues.

Tap “Get Tech Support” to receive technical support. First-time users will be prompted to enter their purchase information.



**NOTE:** Technical support does not offer real-time responses. Customer service staff typically reply within 24 hours.



**According to Waste of Electrical and Electronic Equipment (WEEE) directive, WEEE should be separately collected and treated. If at any time in future you need to dispose of this product, please do NOT dispose of this product with household waste. Please send this product to WEEE collecting points where available.**

## **Feedback & Review**

Your comments and suggestions are important to us  
as they help us provide the best possible service.

Should you have any need to contact us, the info below will help you get in touch:



TOPENS Website

**[www.topens.com](http://www.topens.com)**

Contact Us:

E-mail: [support@topens.com](mailto:support@topens.com)

*Kindly include your purchase channel, order #, door information, issue description and your contact information. All your concerns will be replied within 24 hours.*

Tel: +1 (888) 750 9899 (Toll Free USA & Canada)